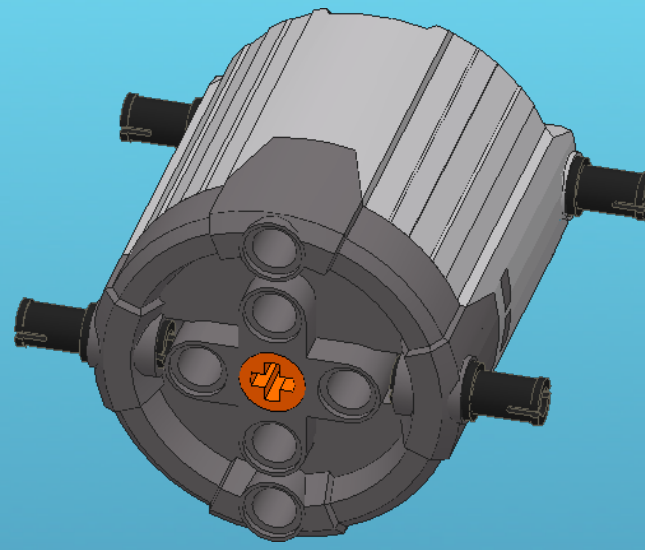
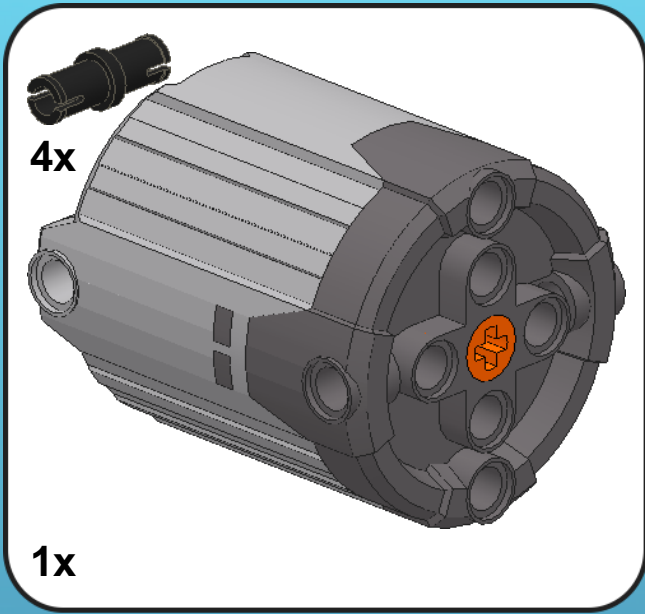
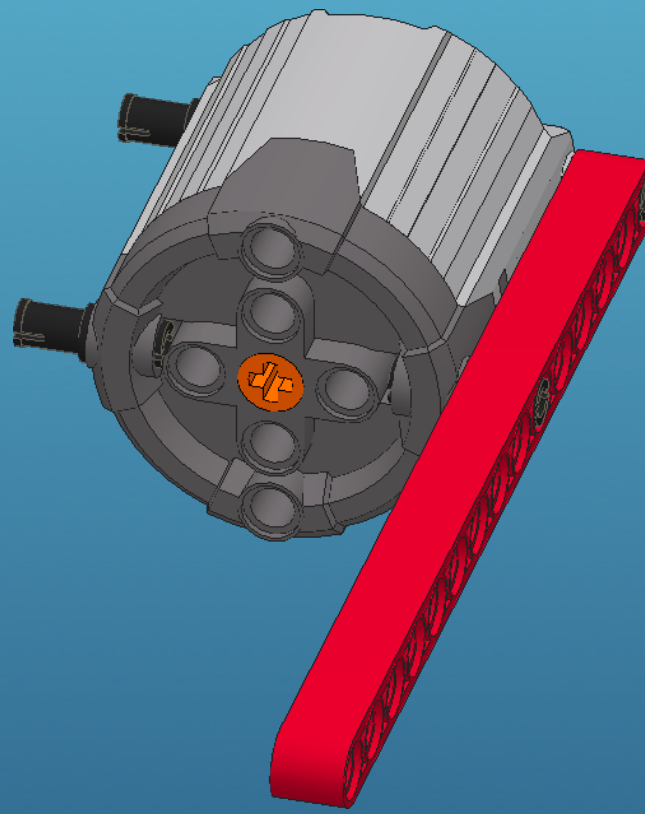
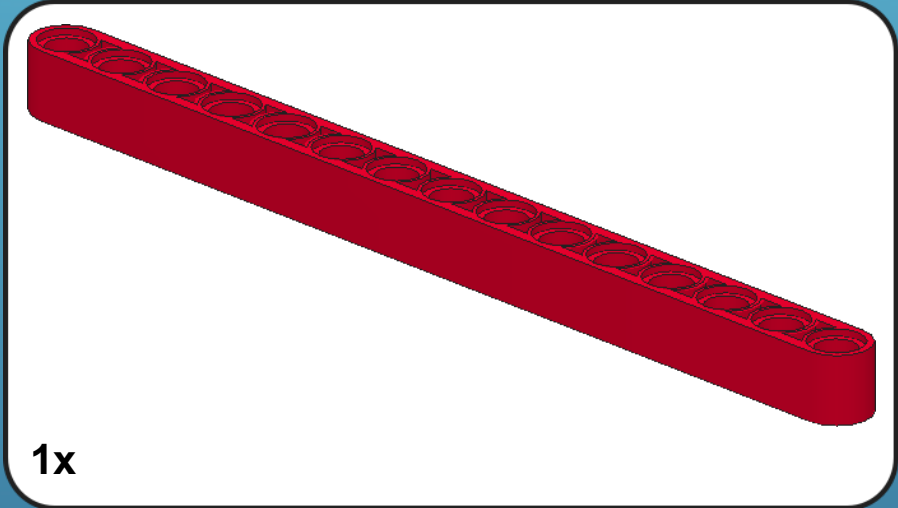


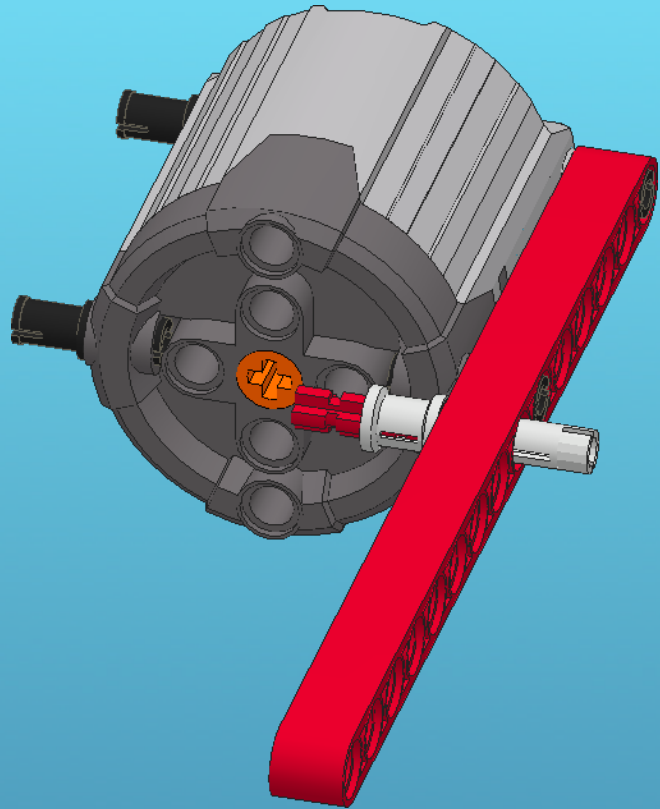
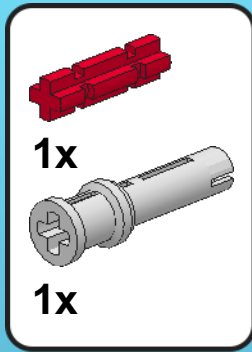
1



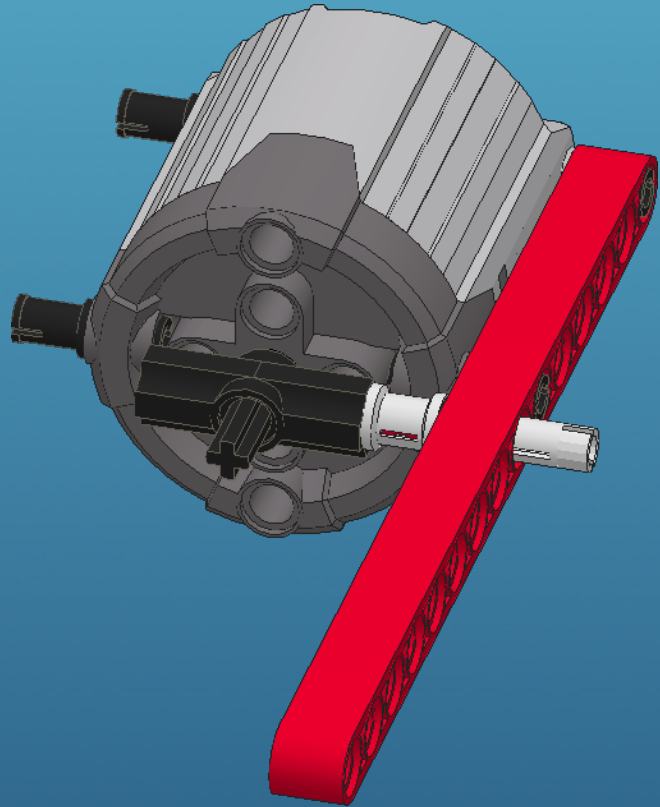
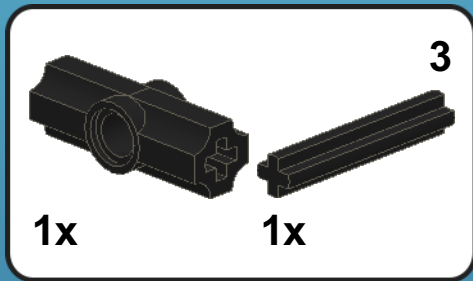
2



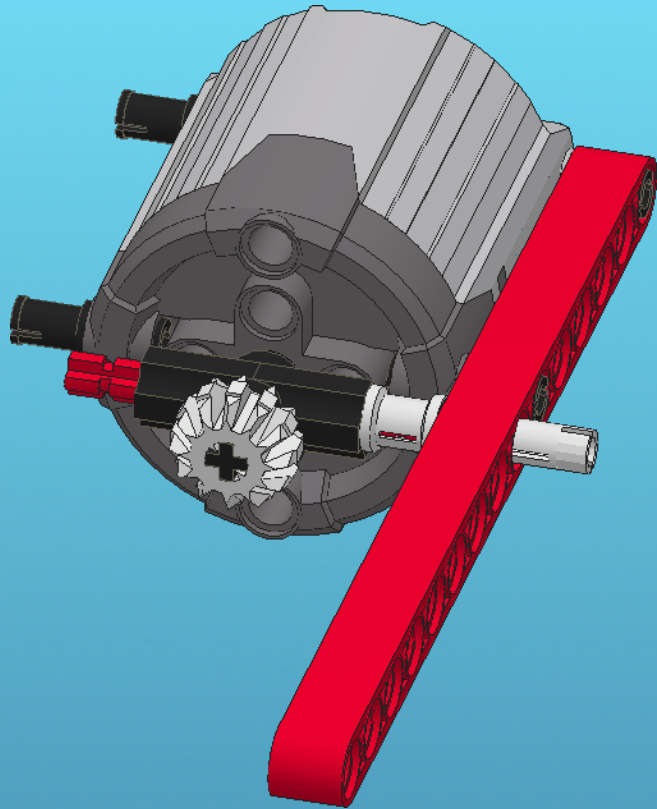
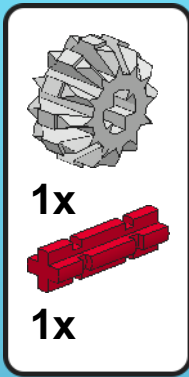
3



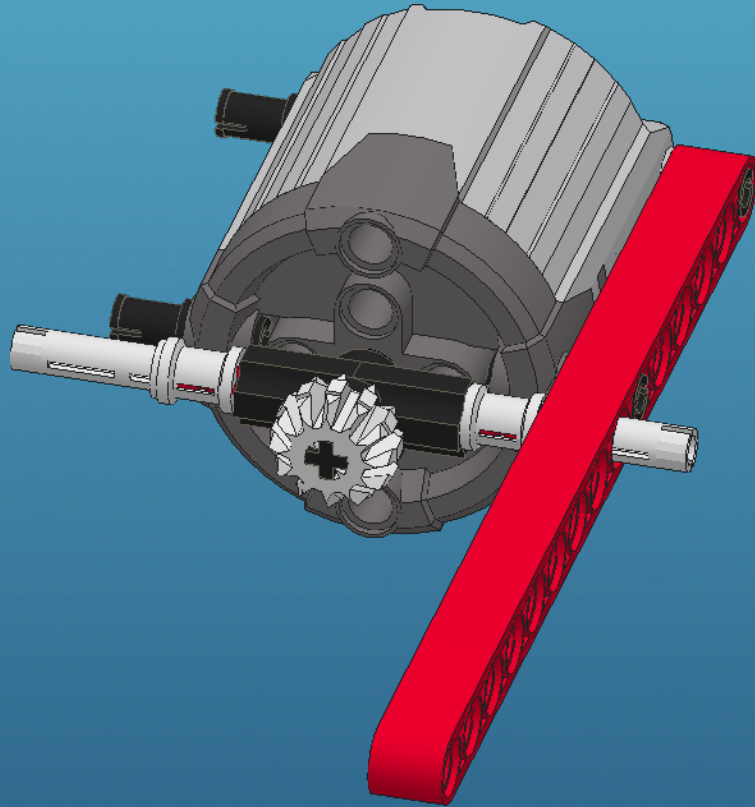
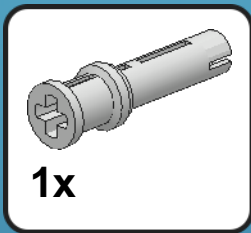
4



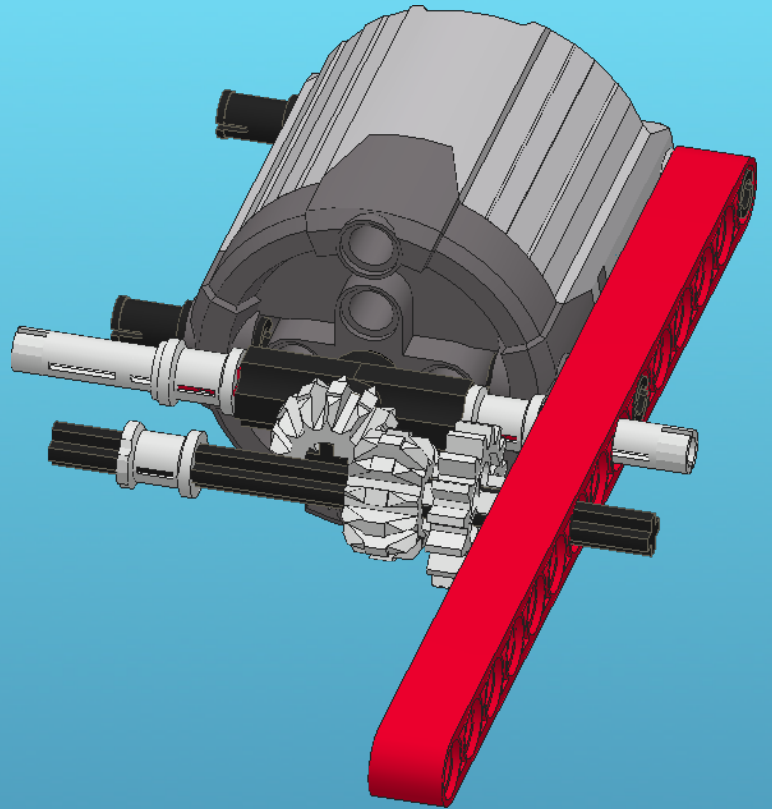
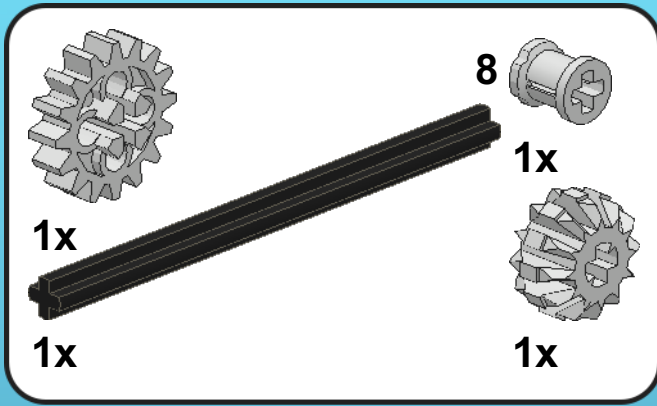
5



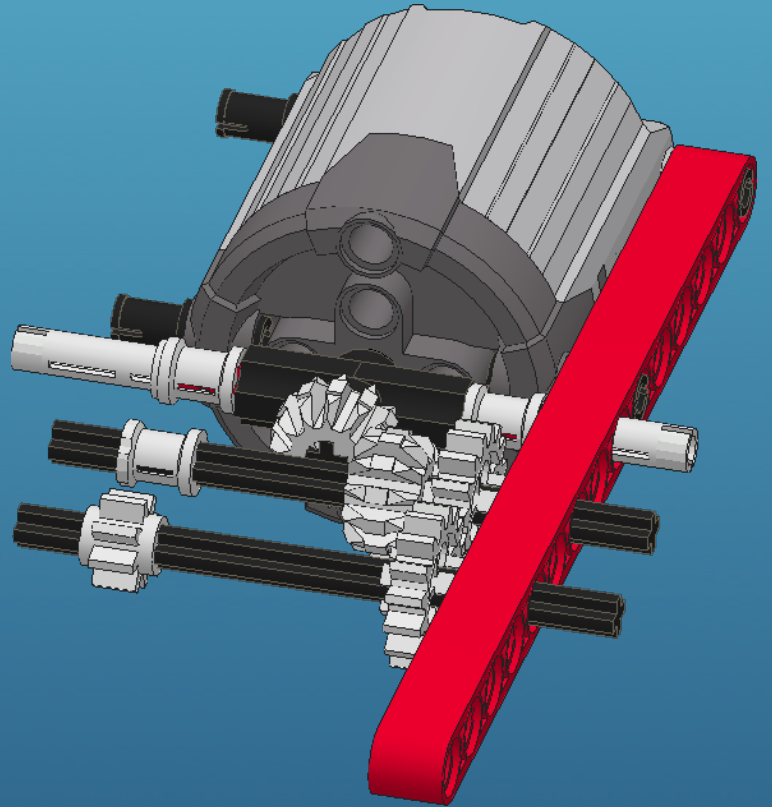
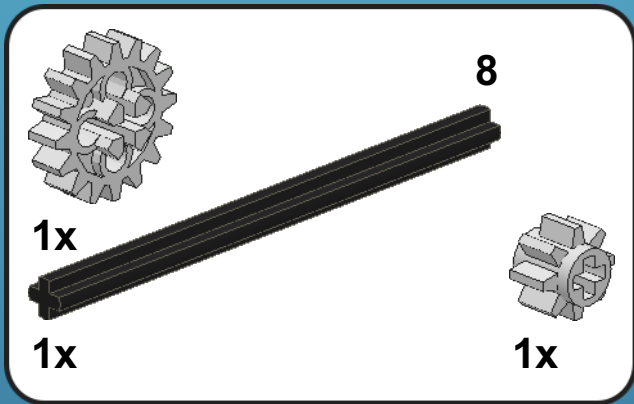
6

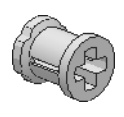


7



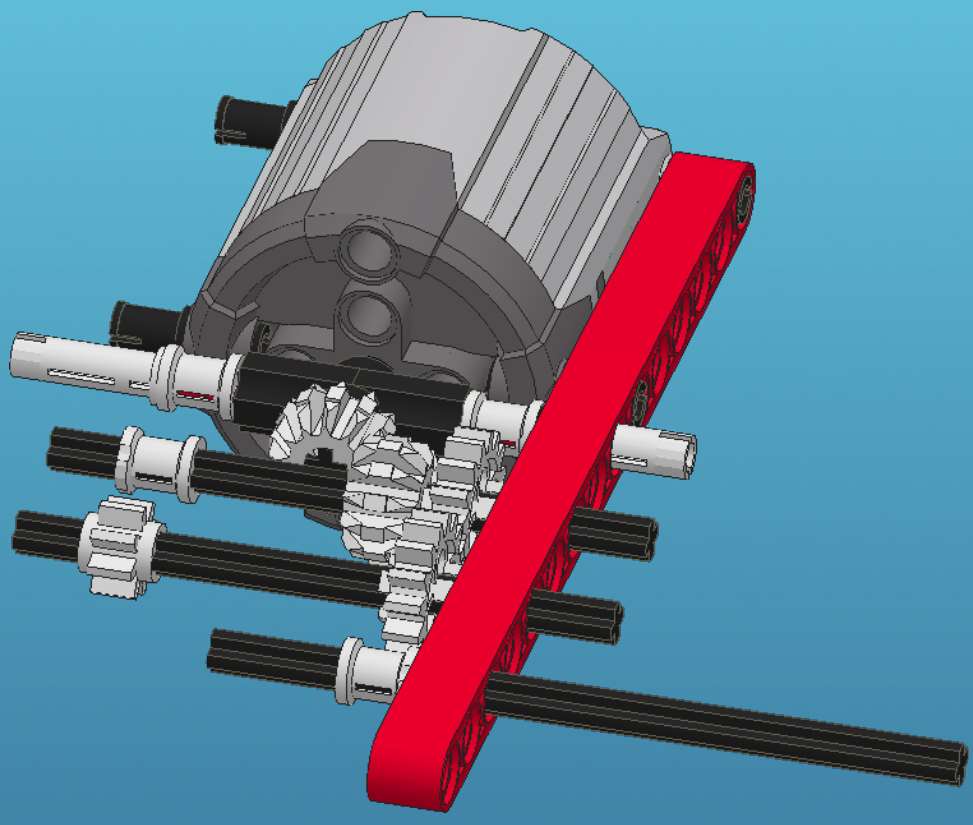
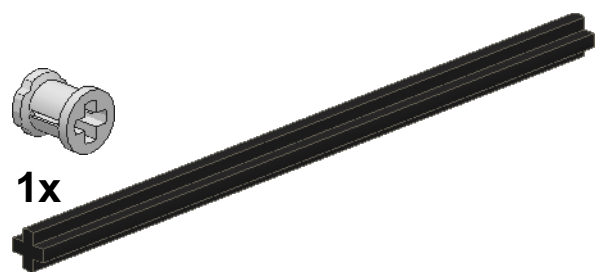
8



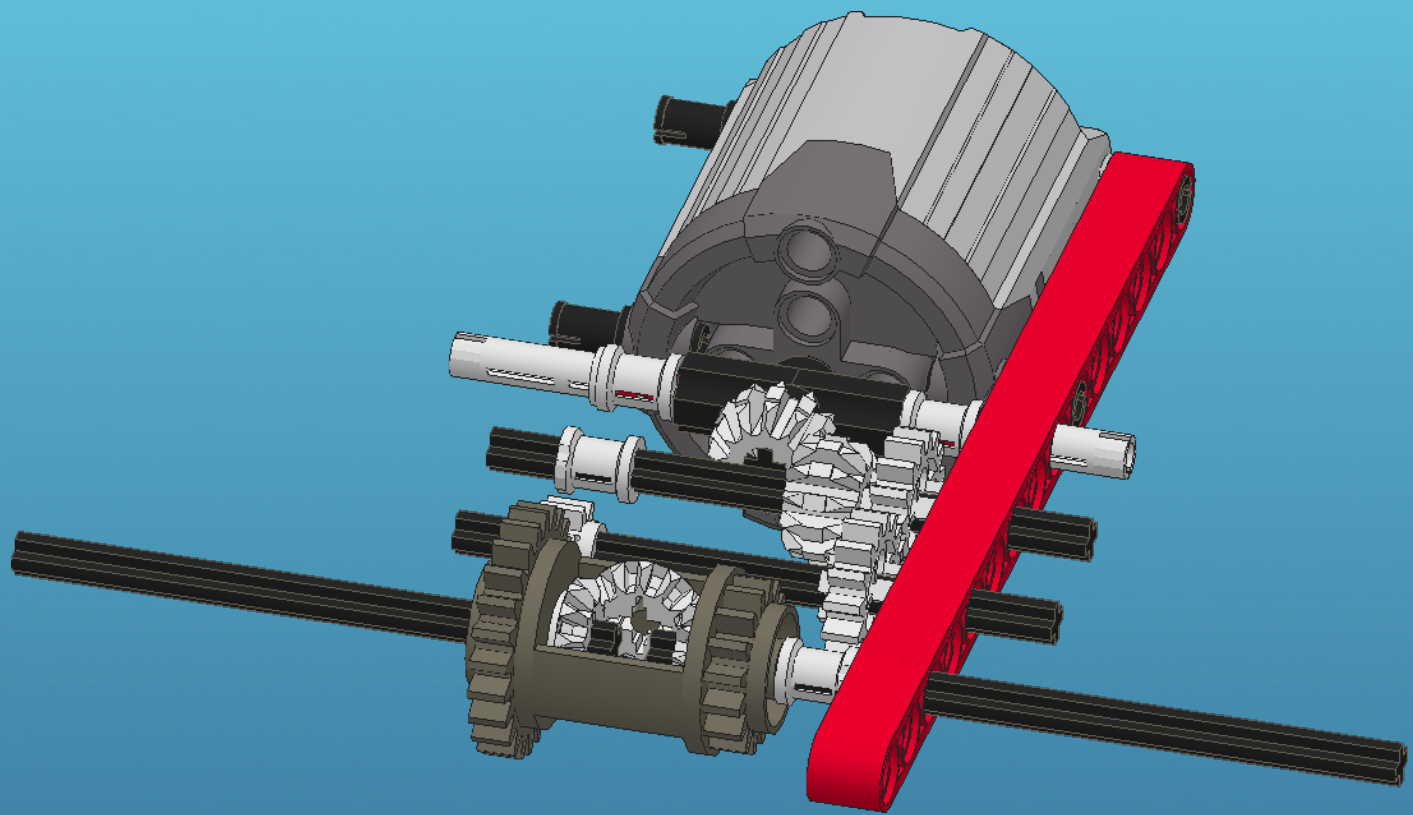
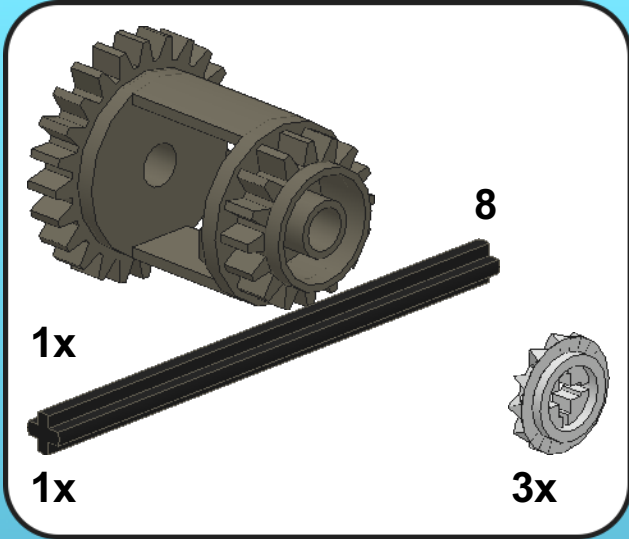


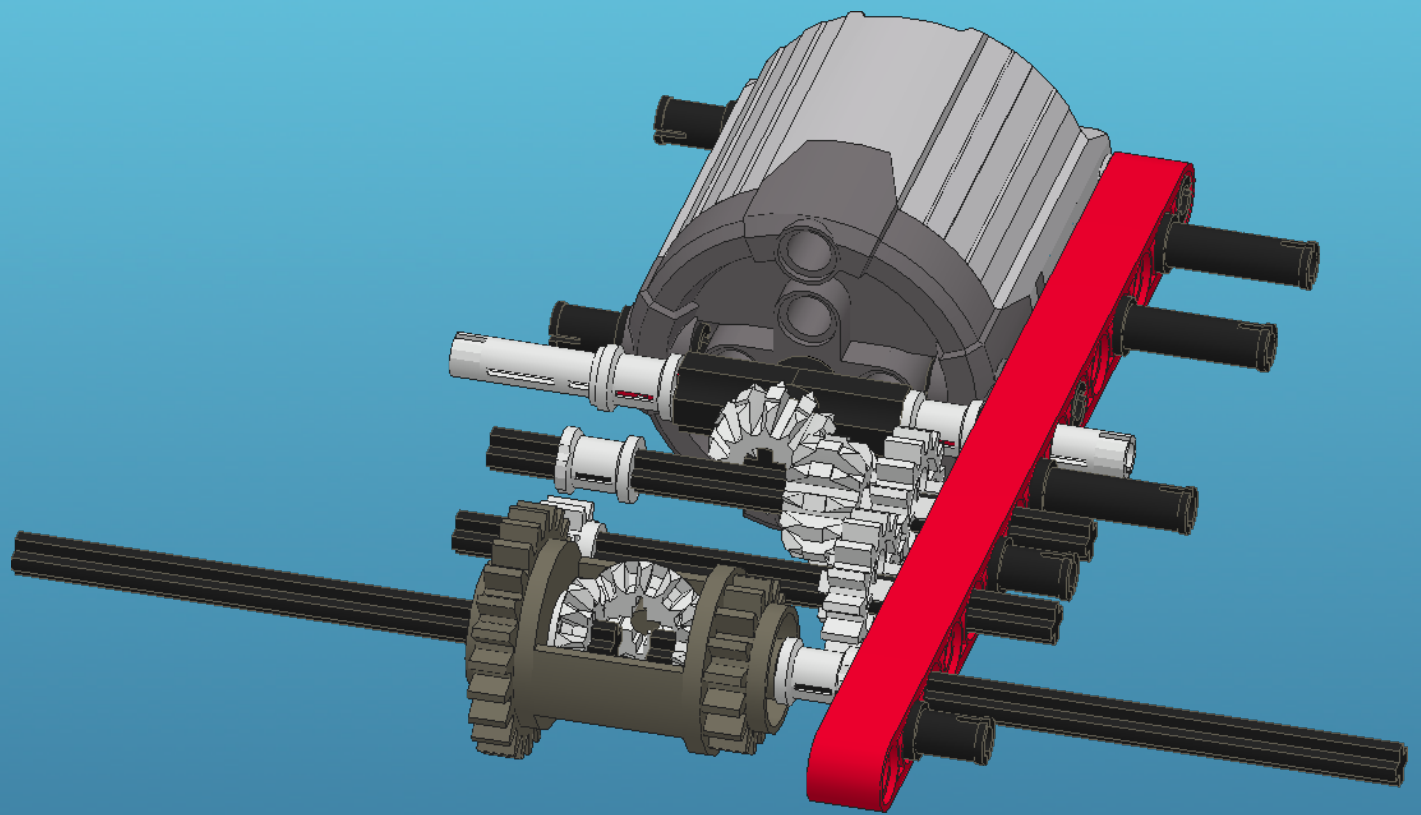
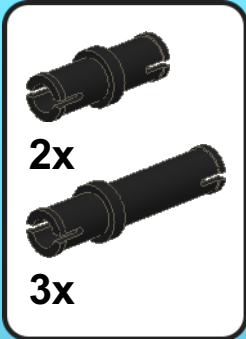
1x

1x

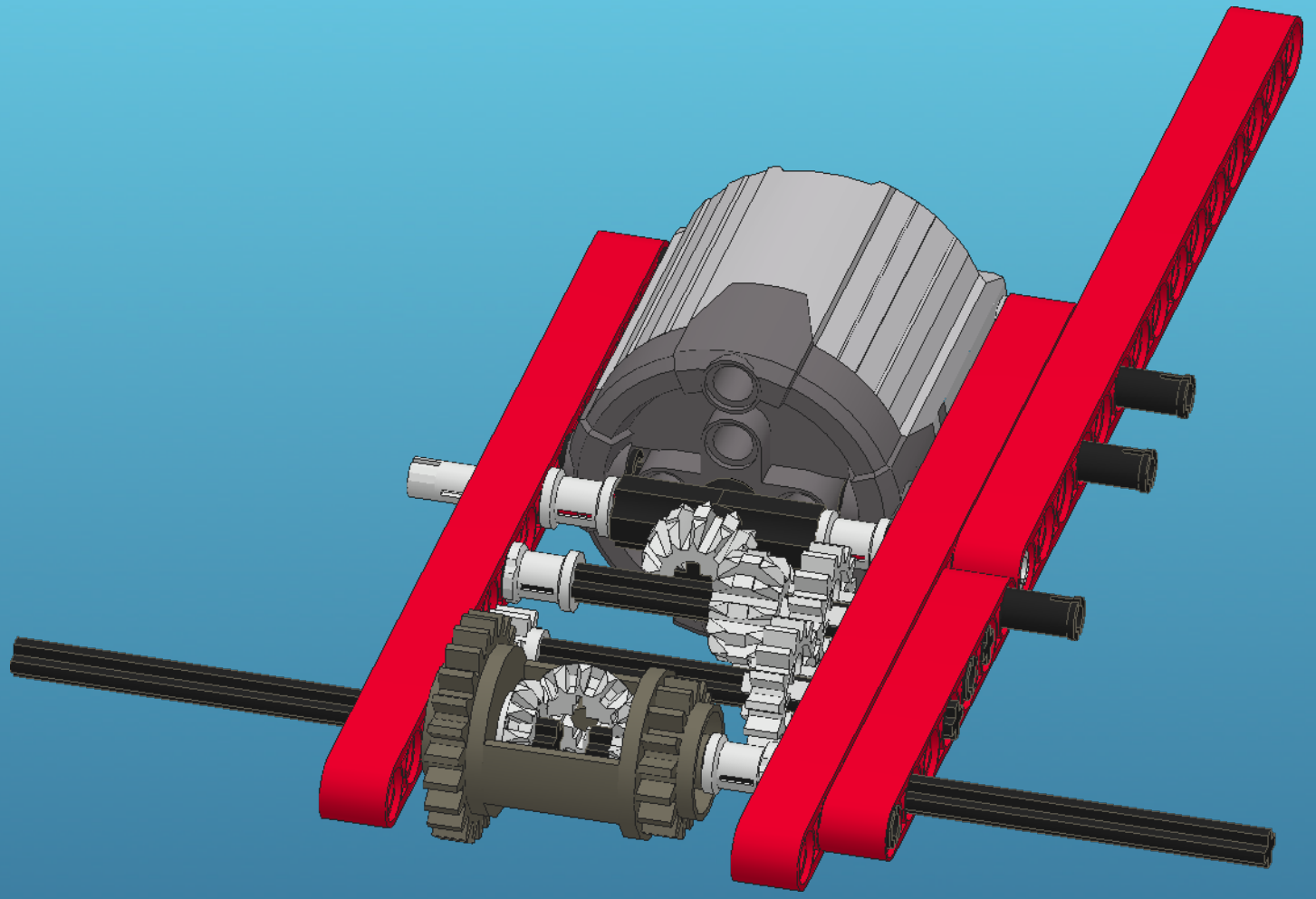
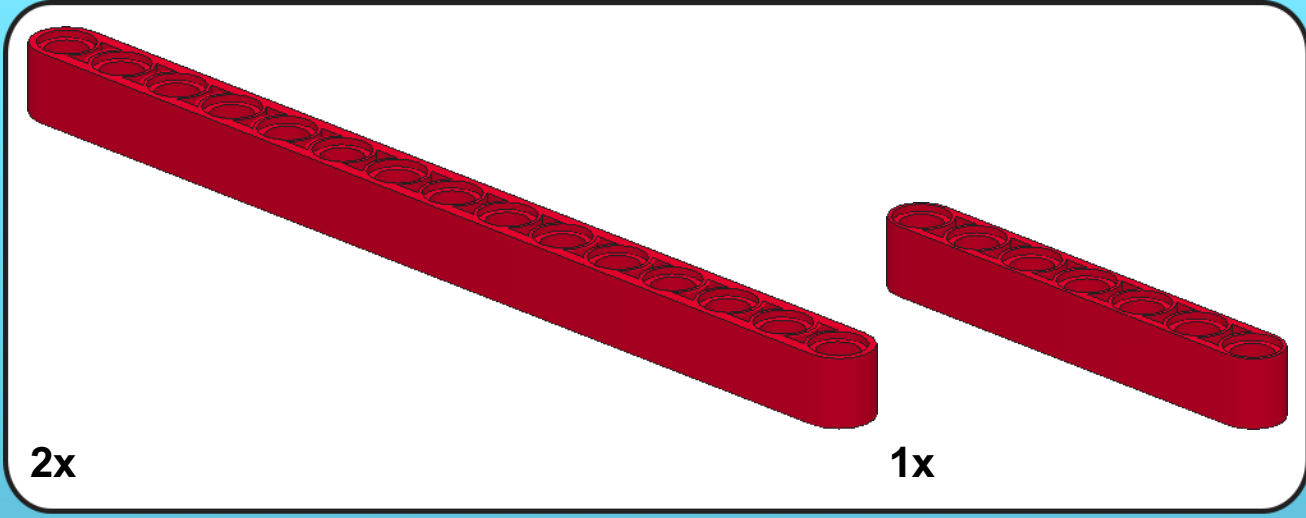


10

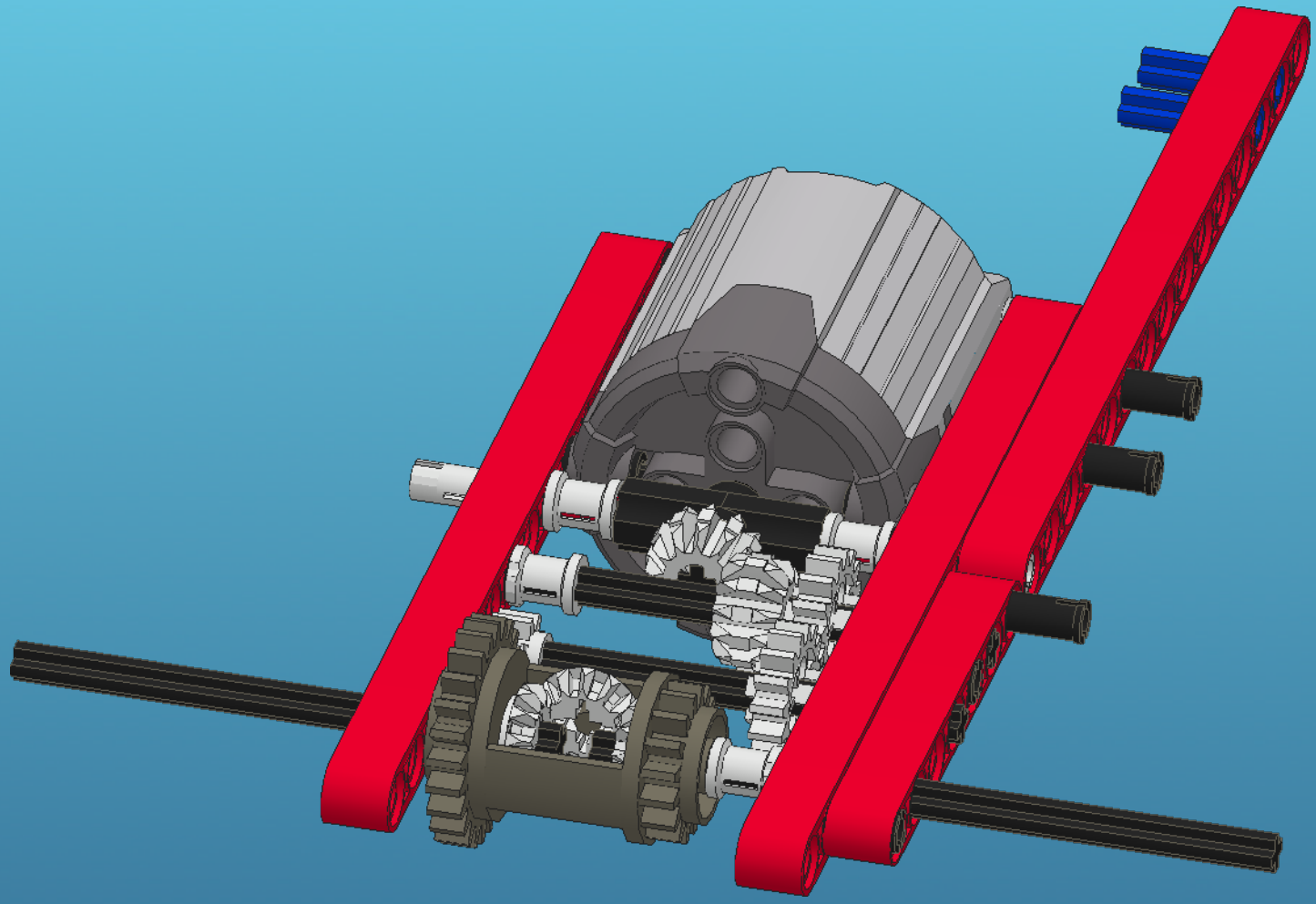
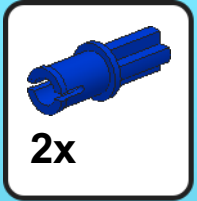




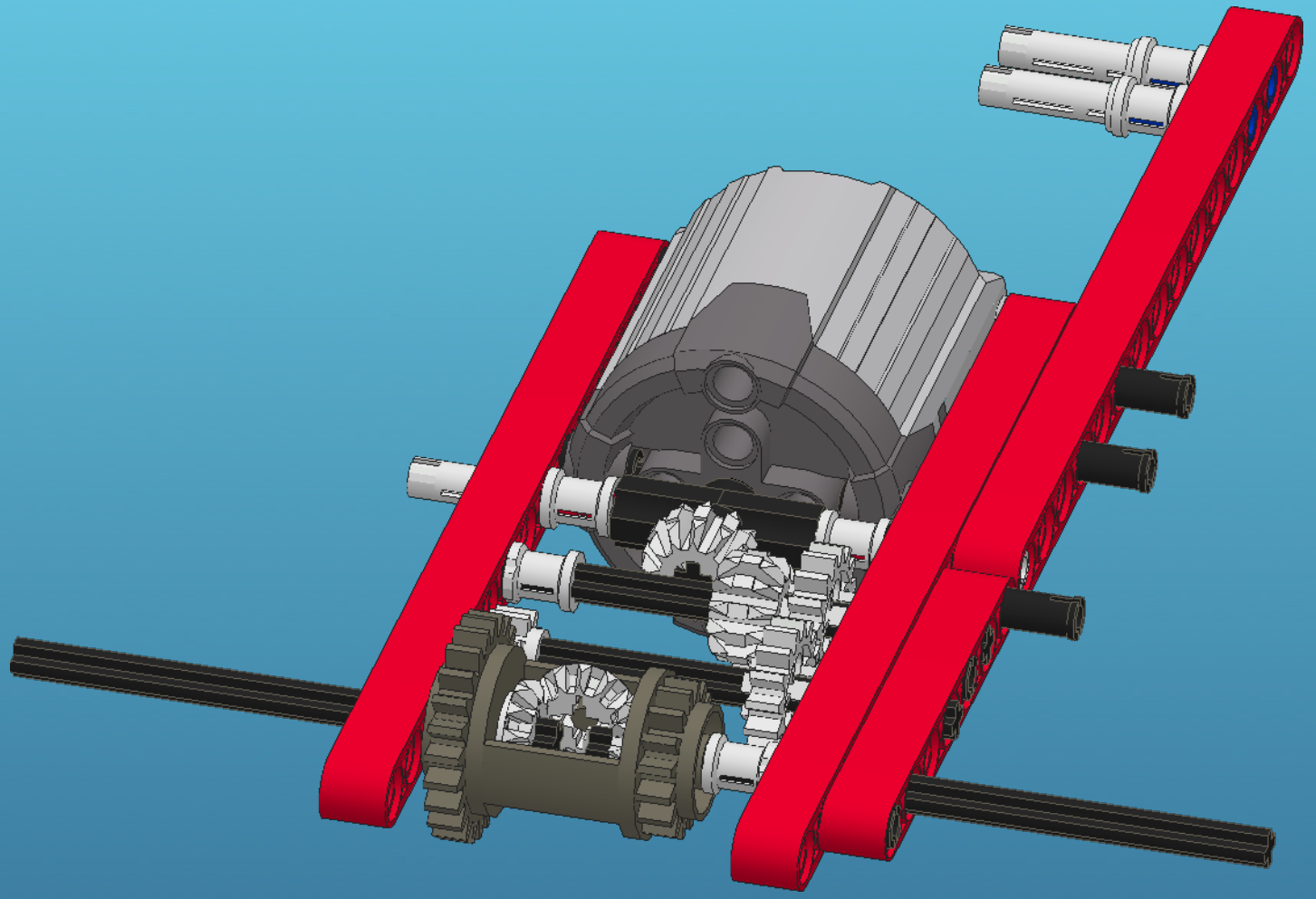
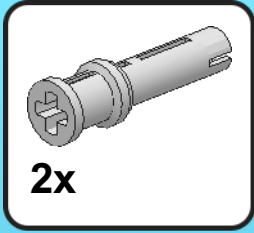
12



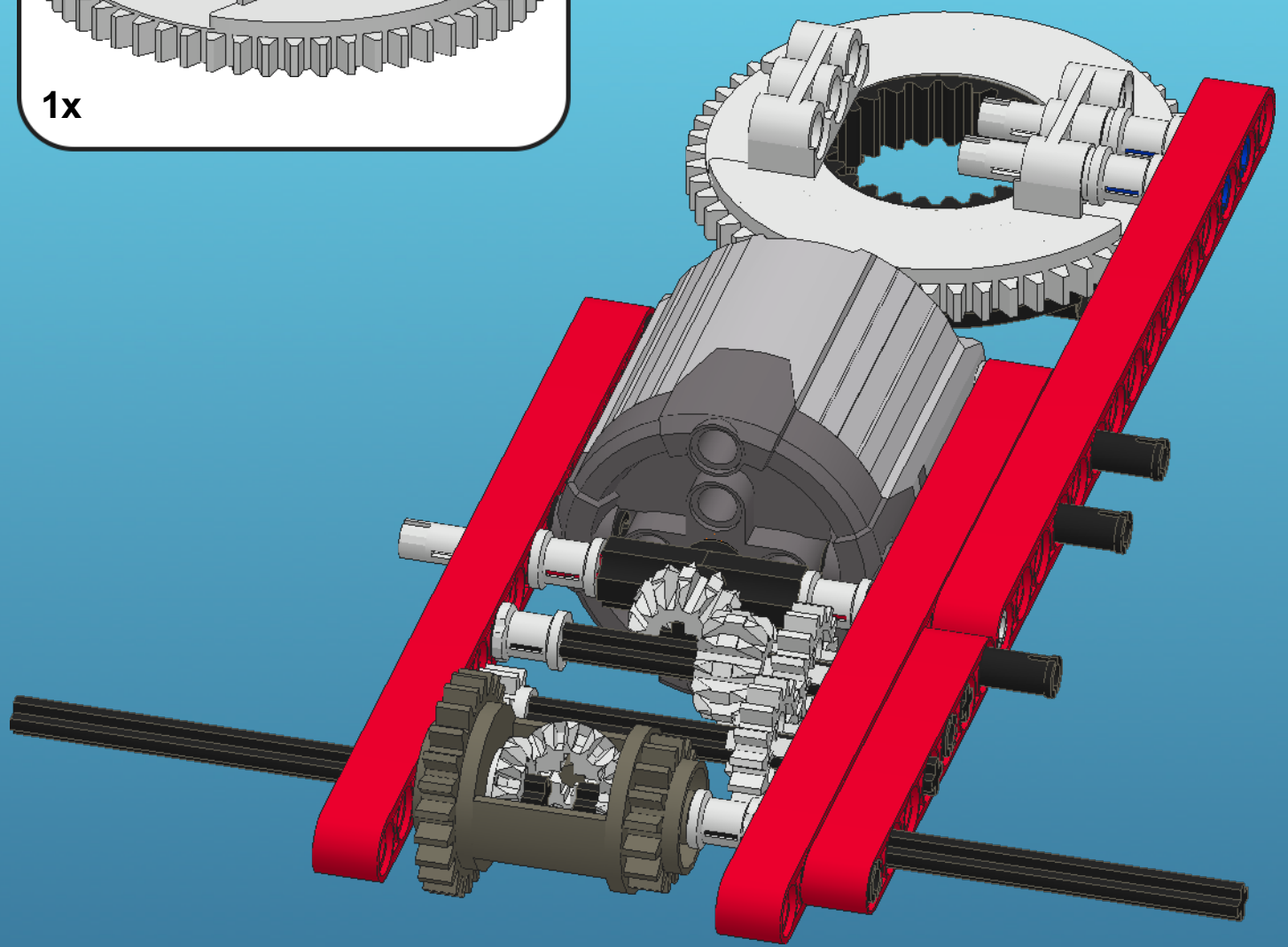
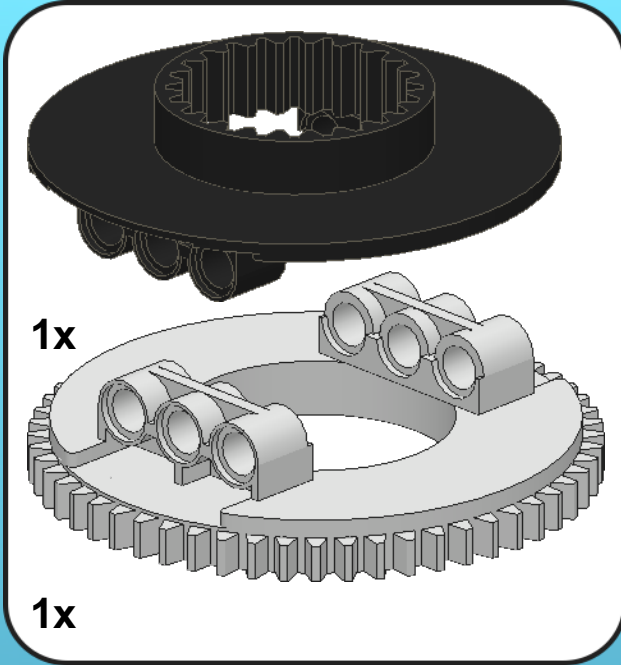
13



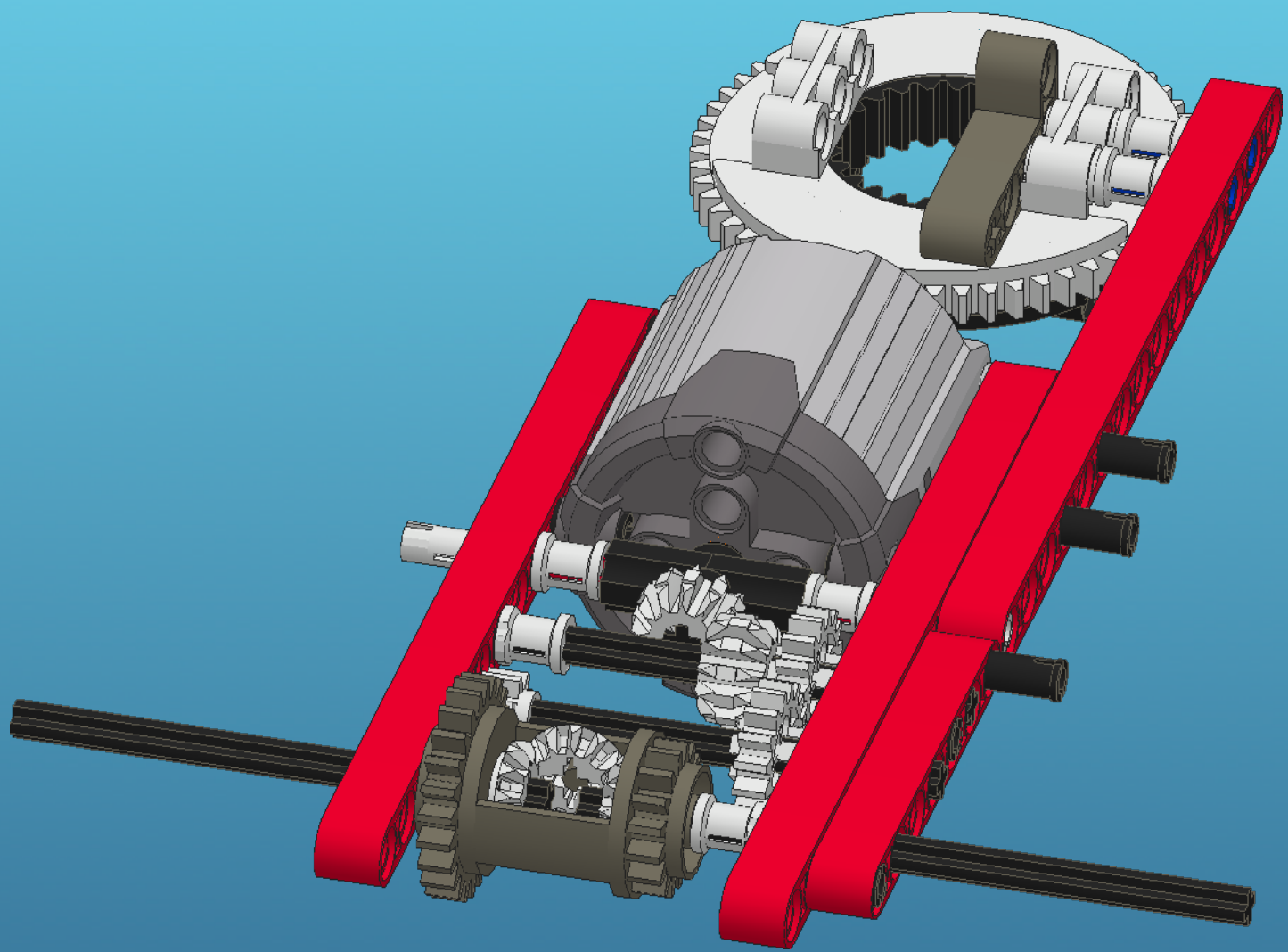
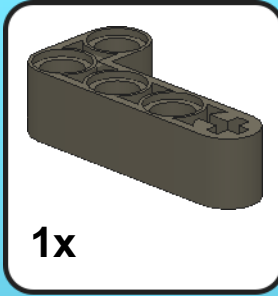
14



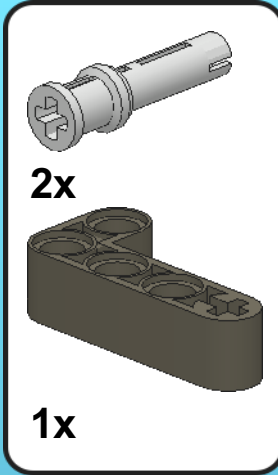
15



16



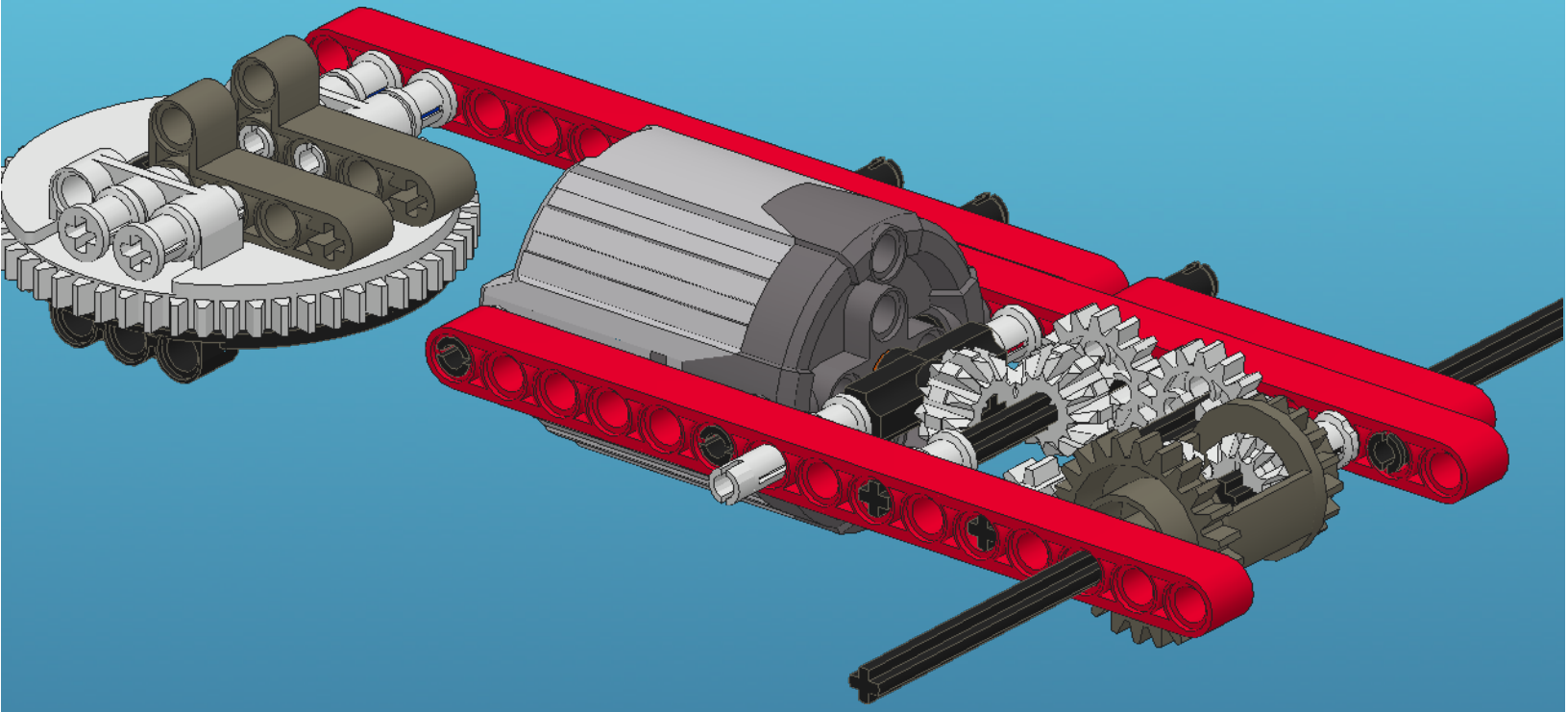
17

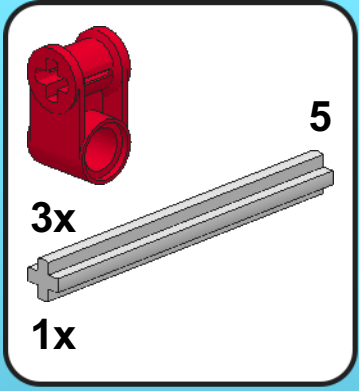


2x

1x

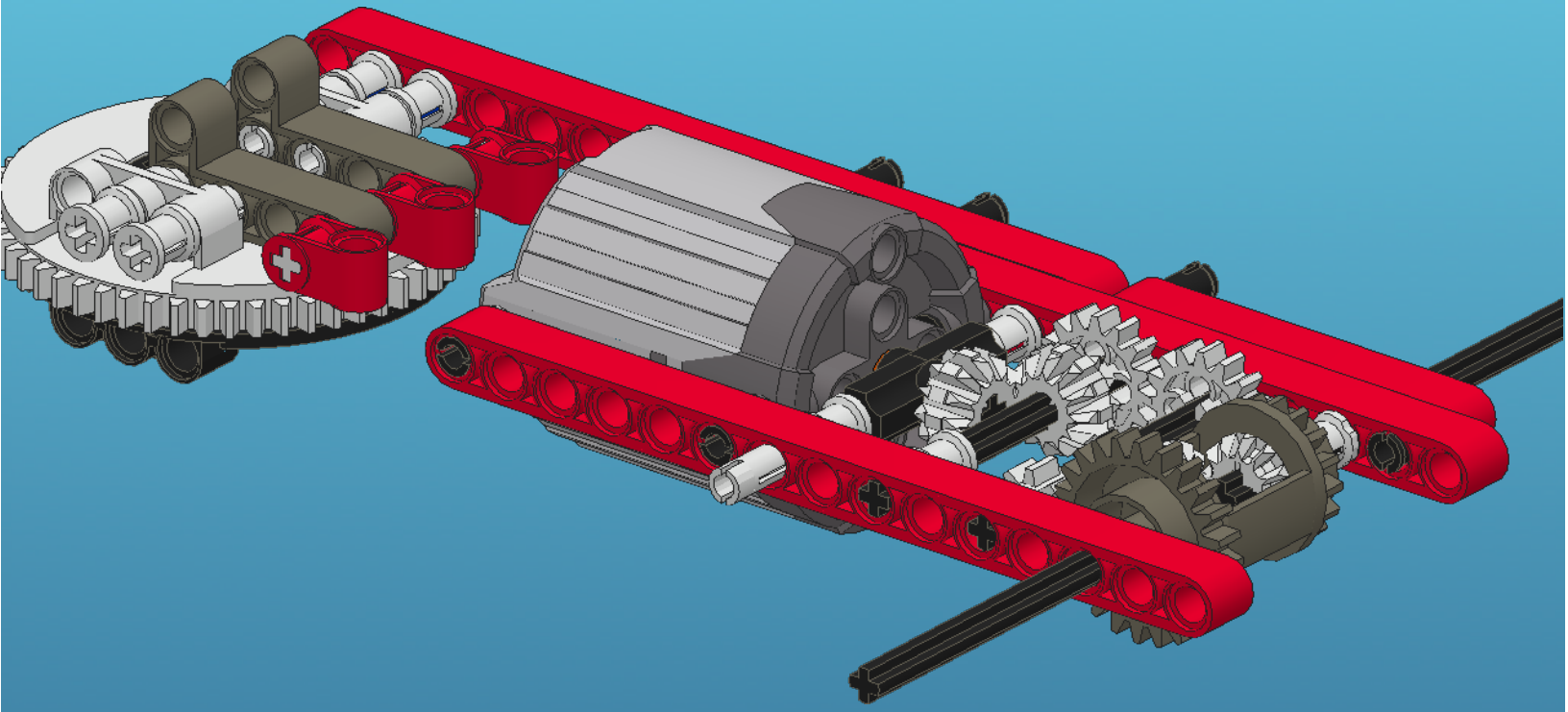
This inset box shows the parts required for step 17. At the top is a grey axle pin with a cross-shaped hole. Below it is a dark grey 1x3 Technic beam with a hole in the middle. The quantity '2x' is written to the left of the beam, and '1x' is written below it.



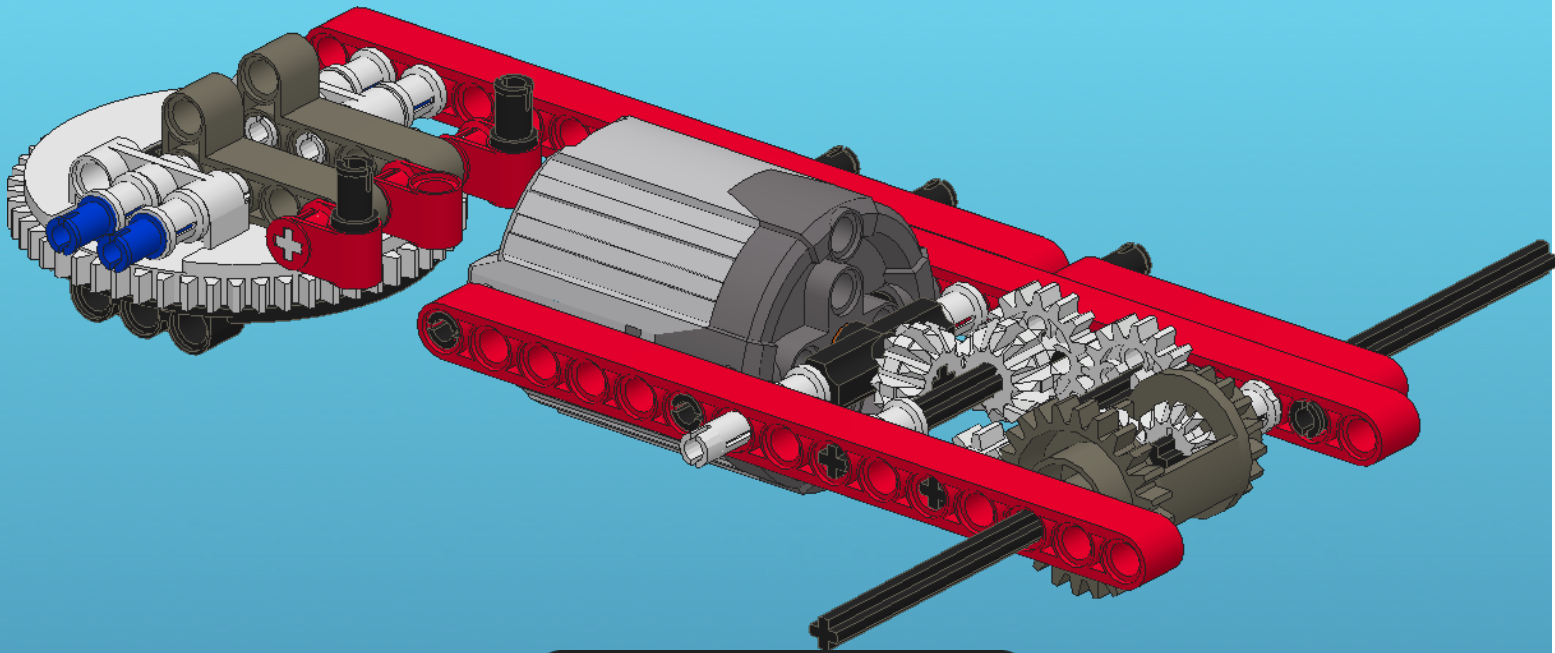
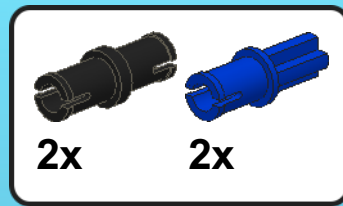


5
3x
1x

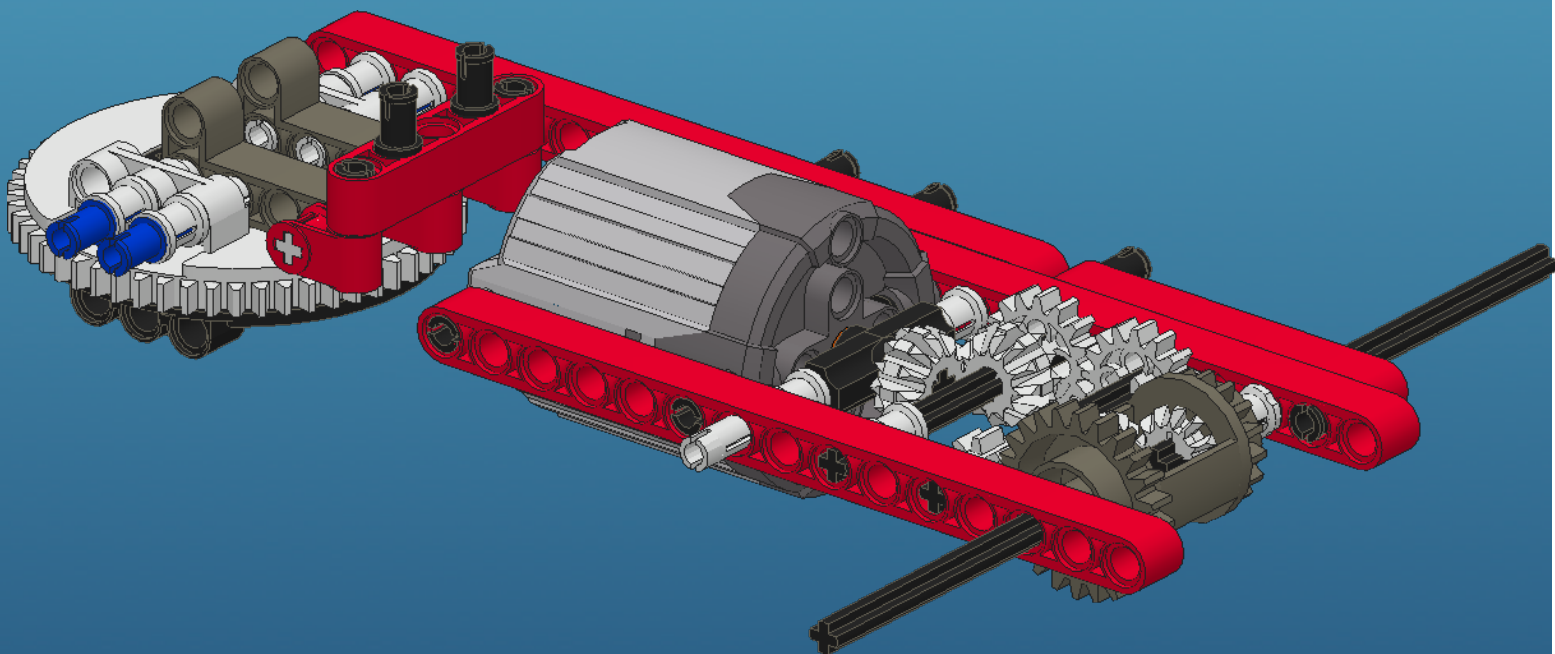
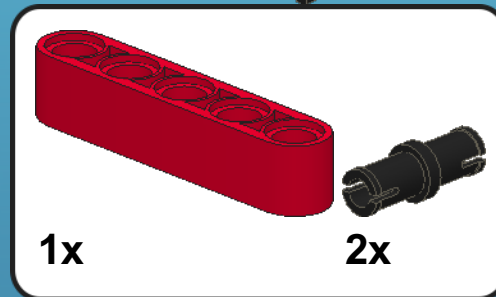
This inset box lists the parts required for step 18: 5 red Technic connectors, 3 grey Technic axles, and 1 grey Technic axle pin.

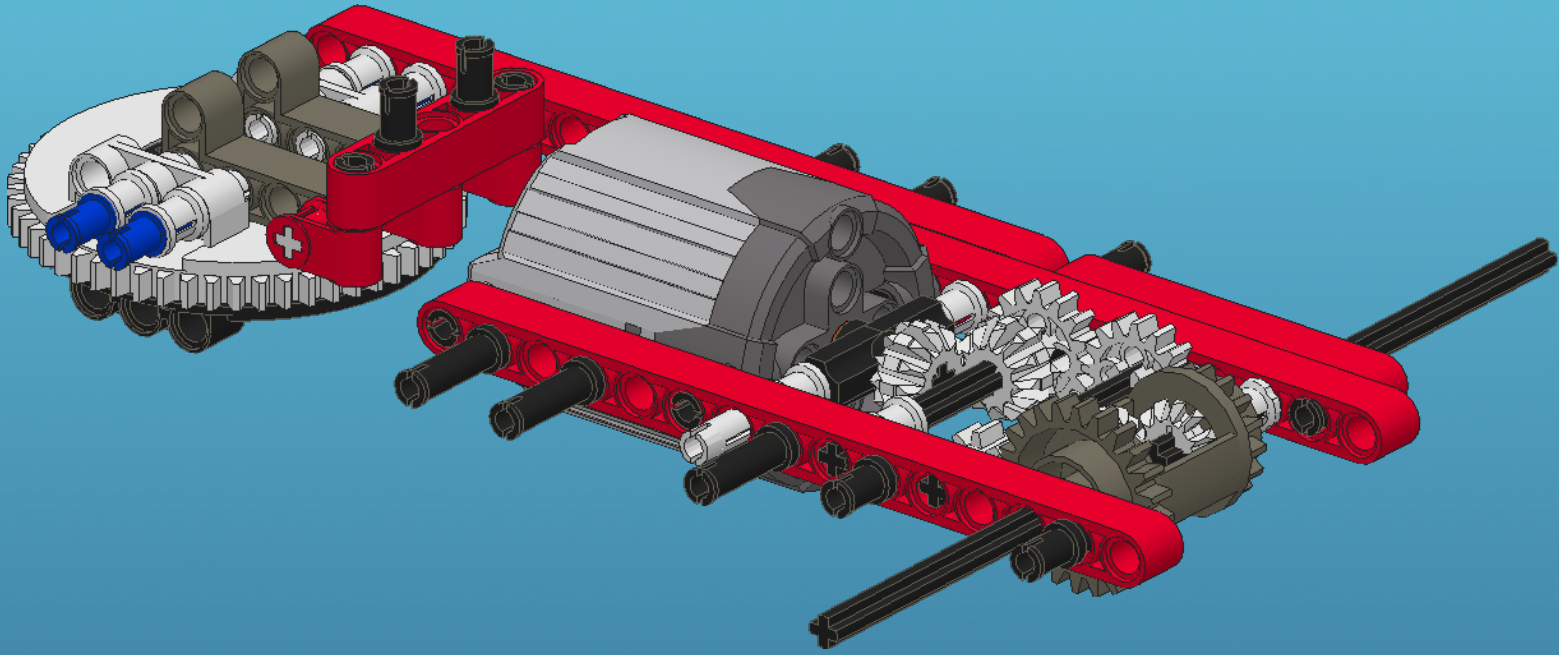
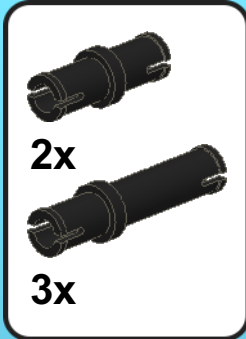


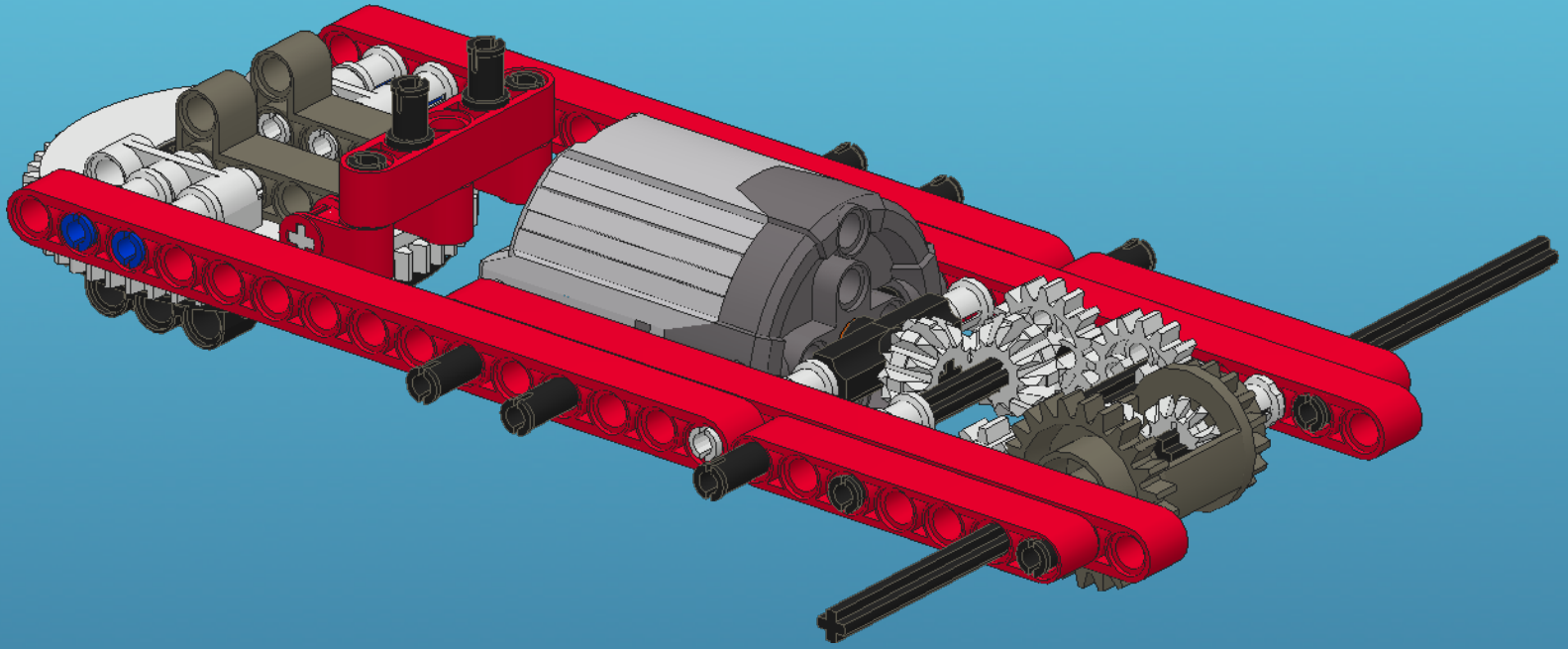
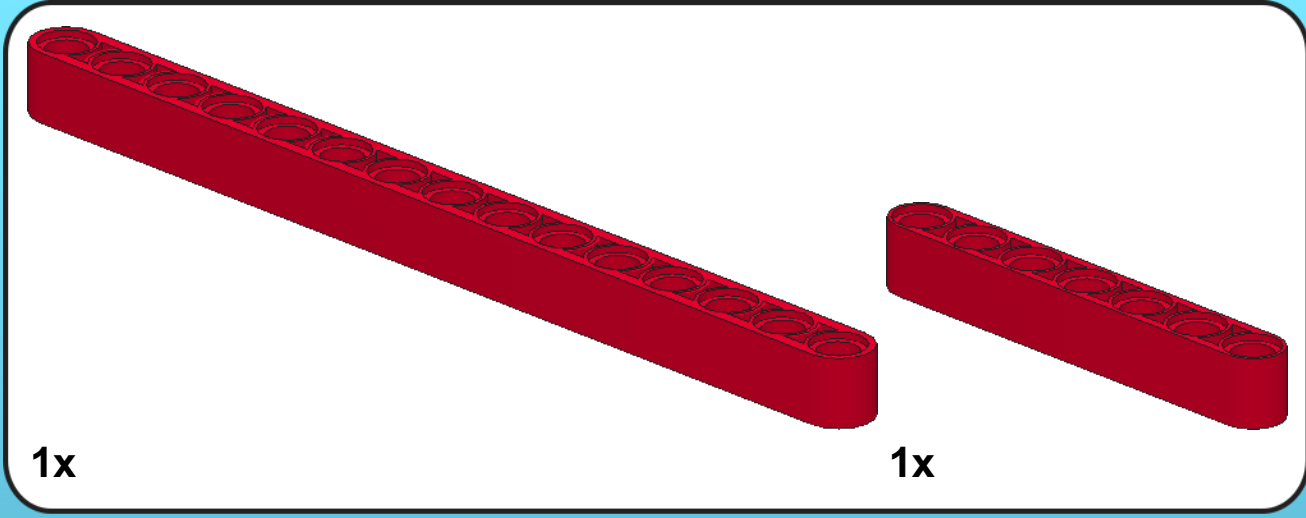
19

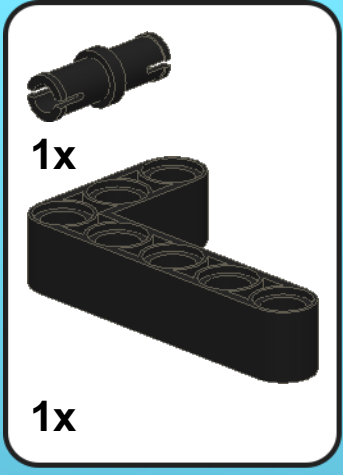


20





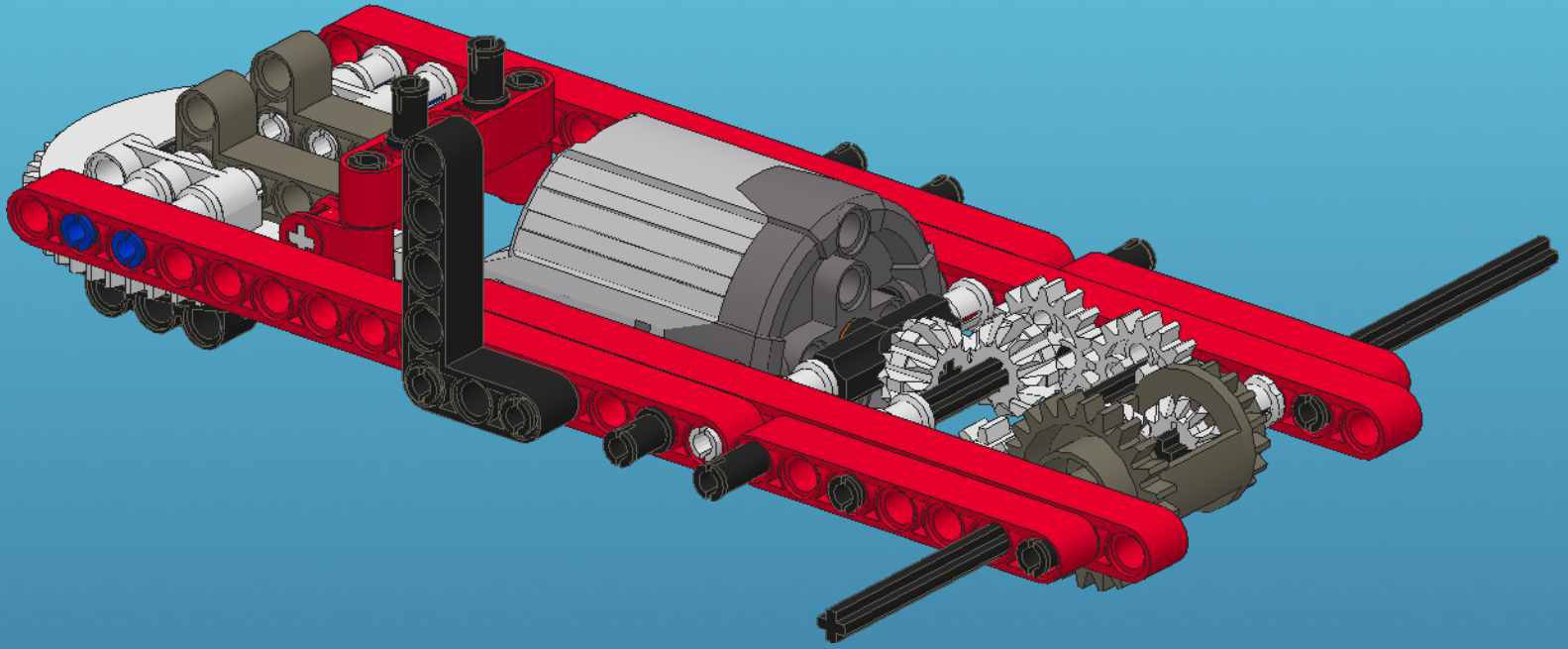


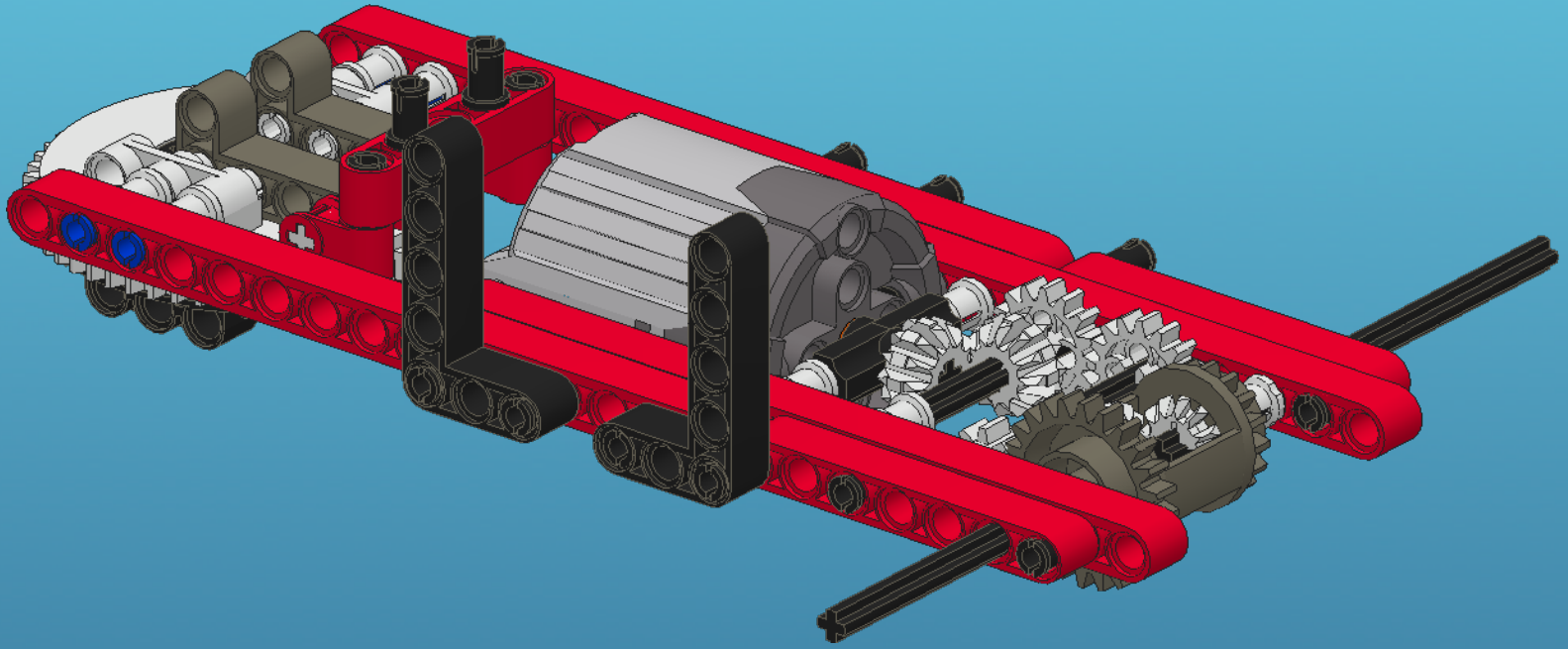
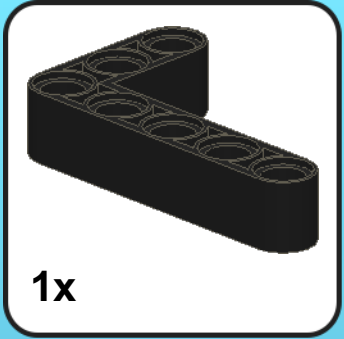


1x

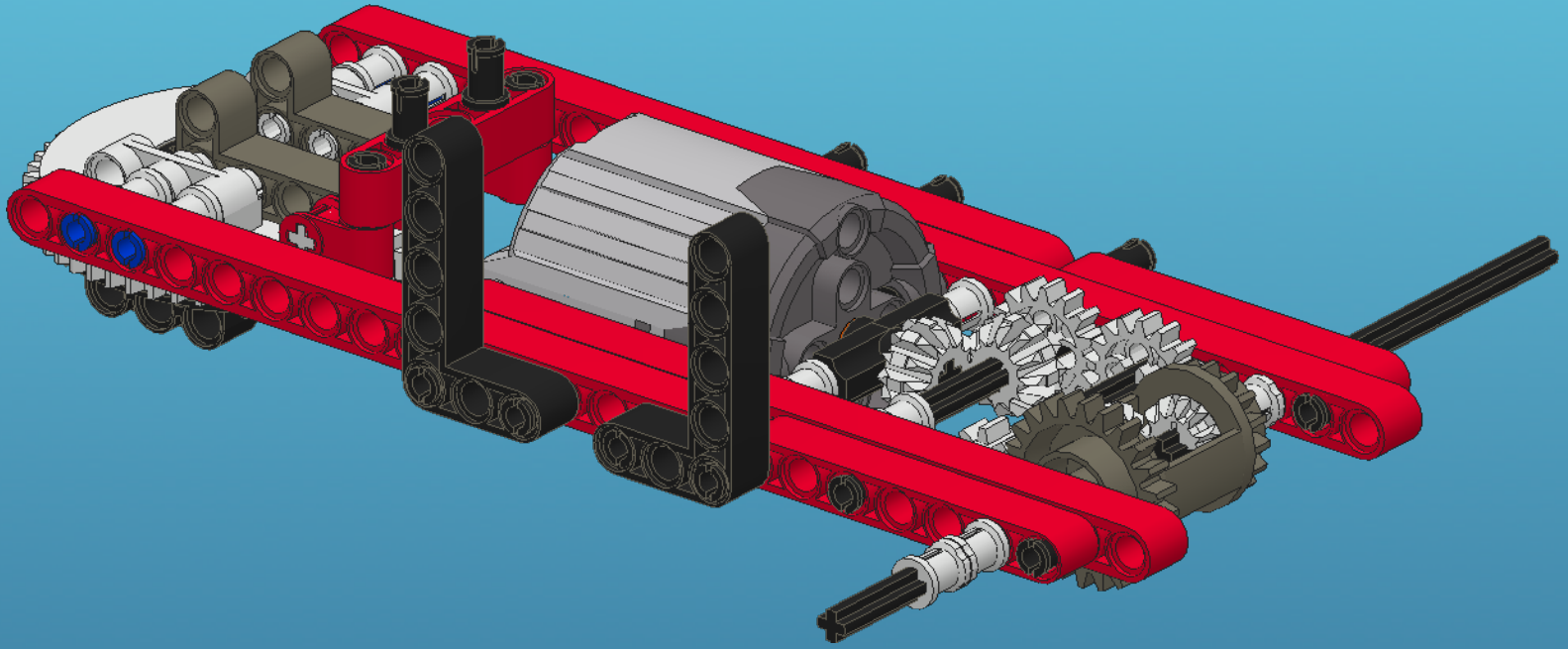
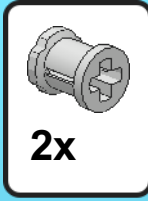
1x

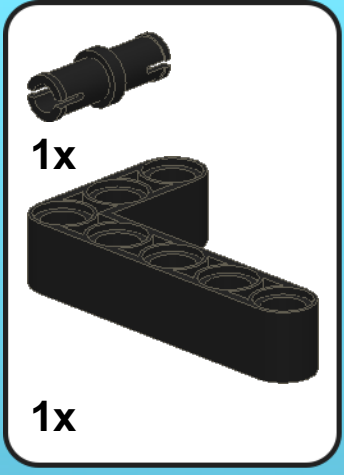
This inset box shows the parts required for step 23: one black axle pin and one black L-shaped Technic beam (1x5 holes).





25

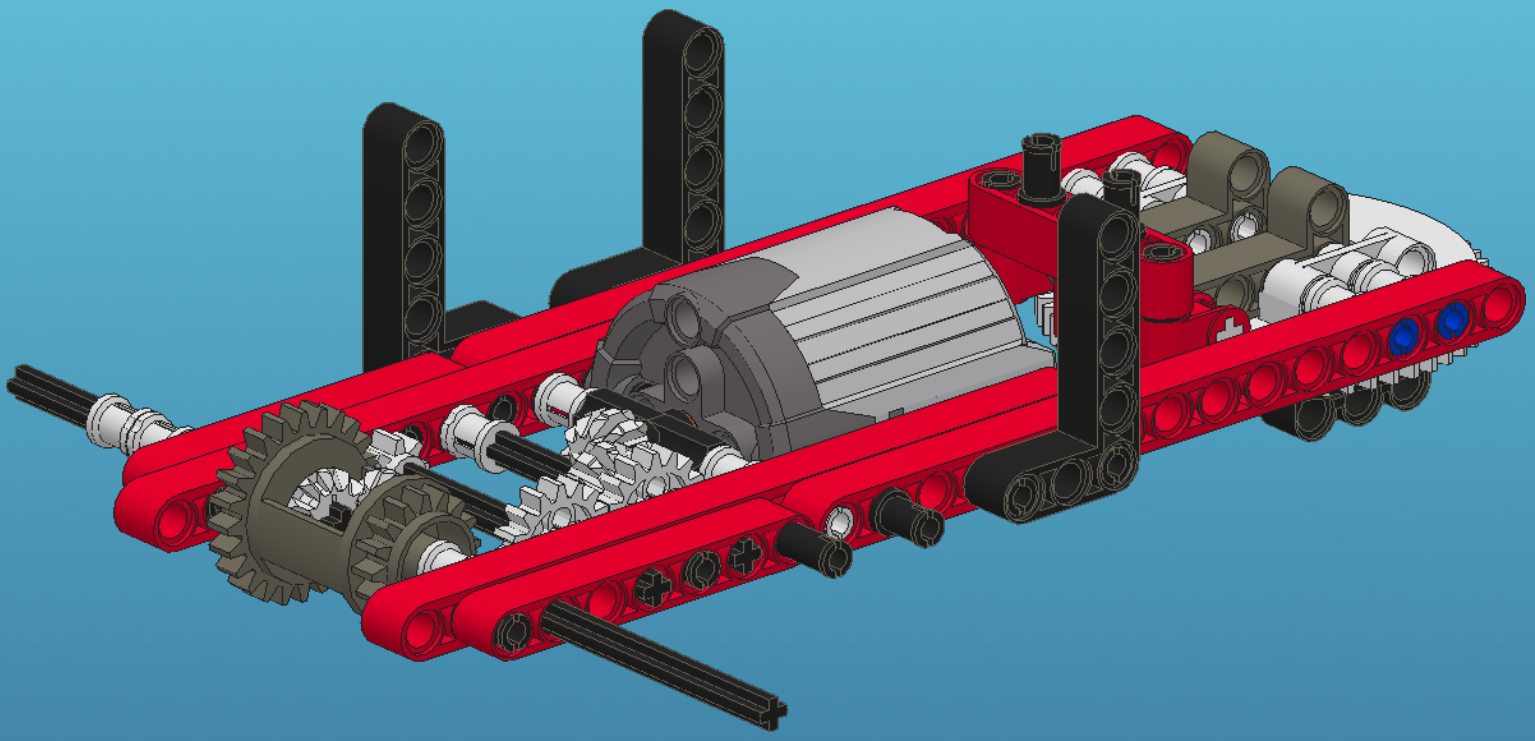


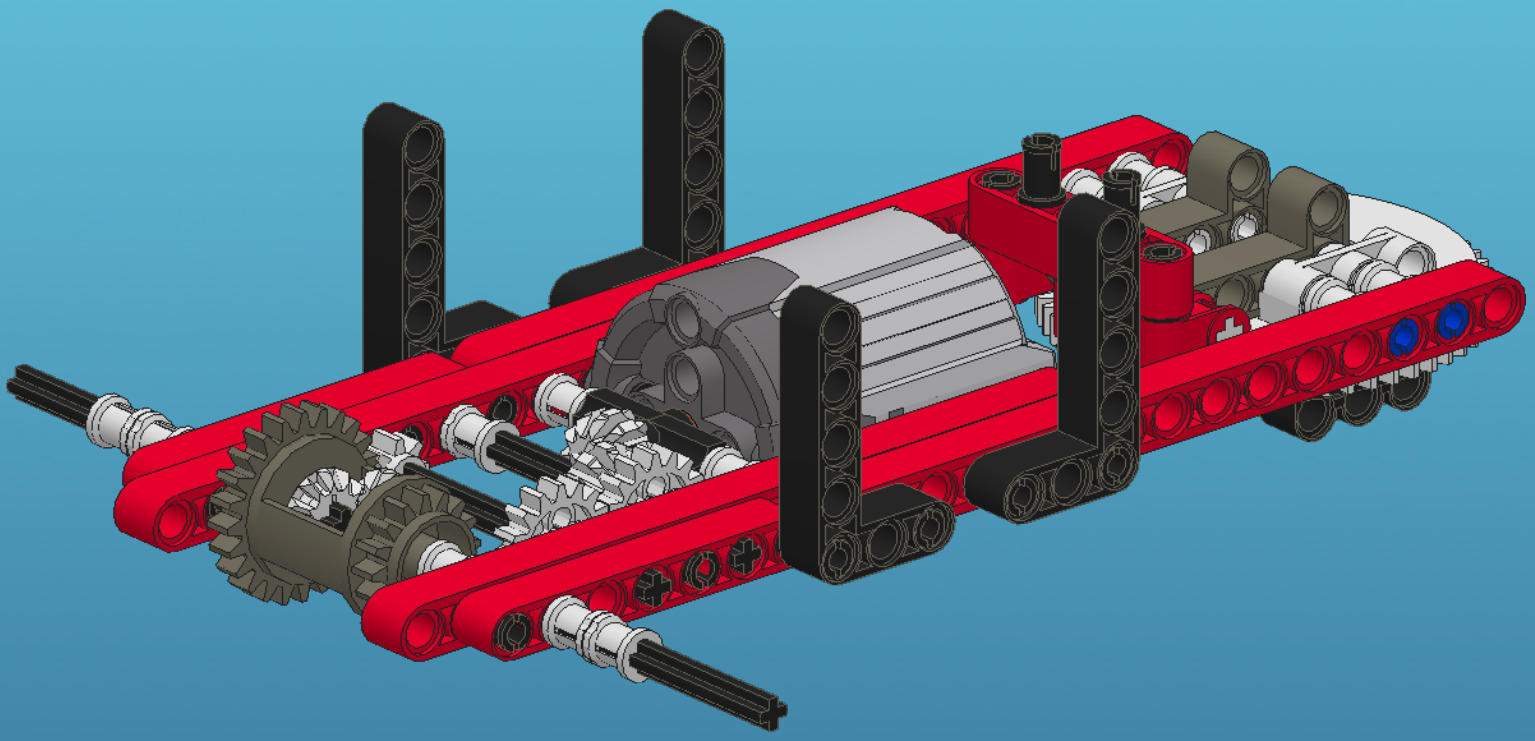
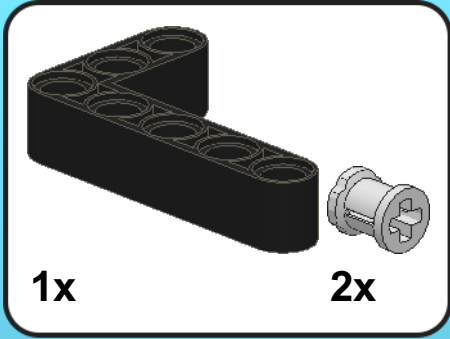


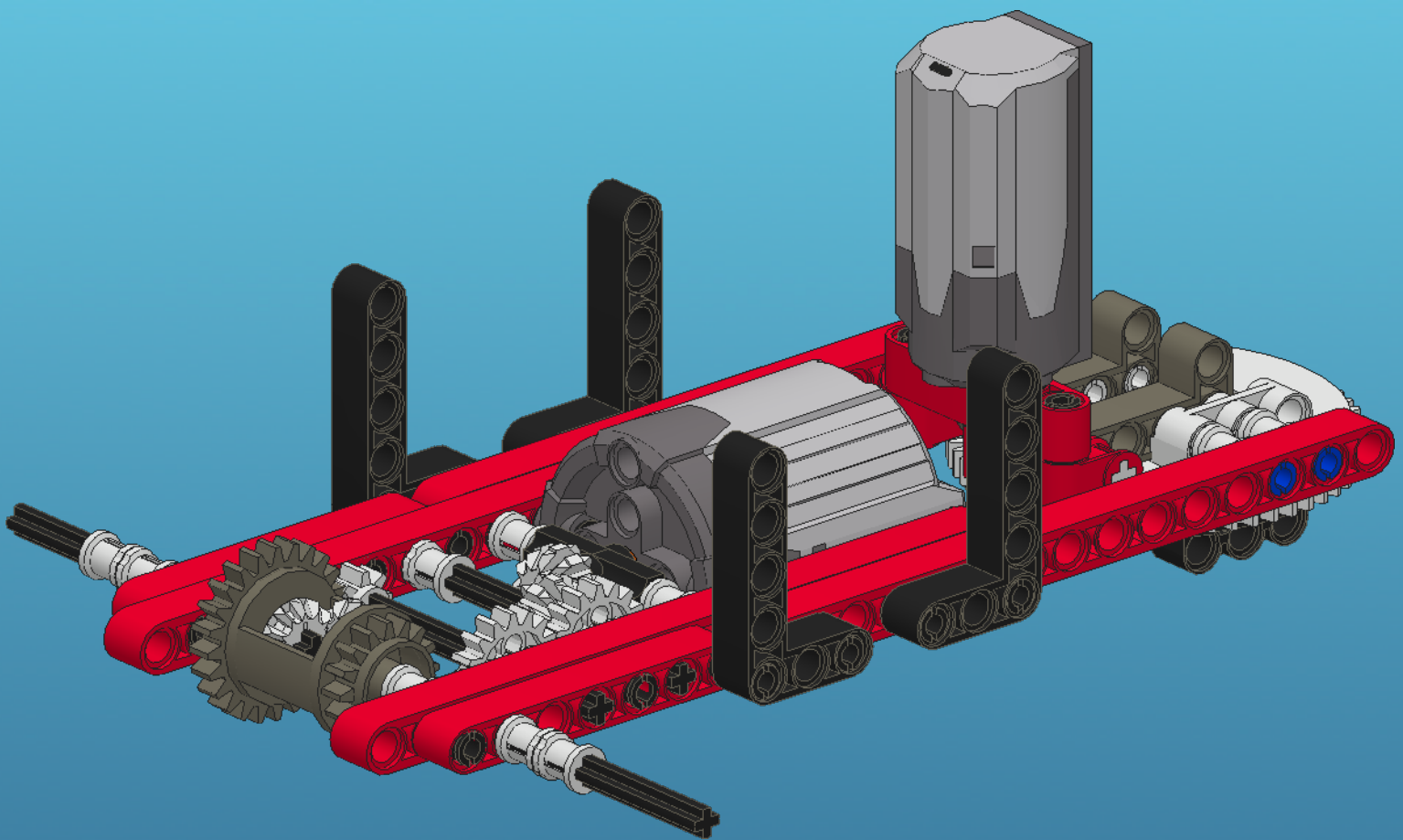
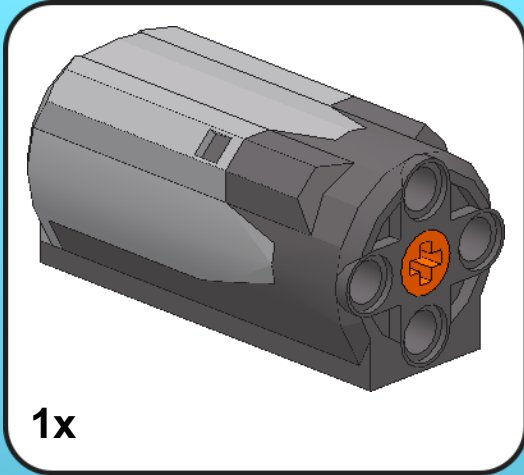
1x

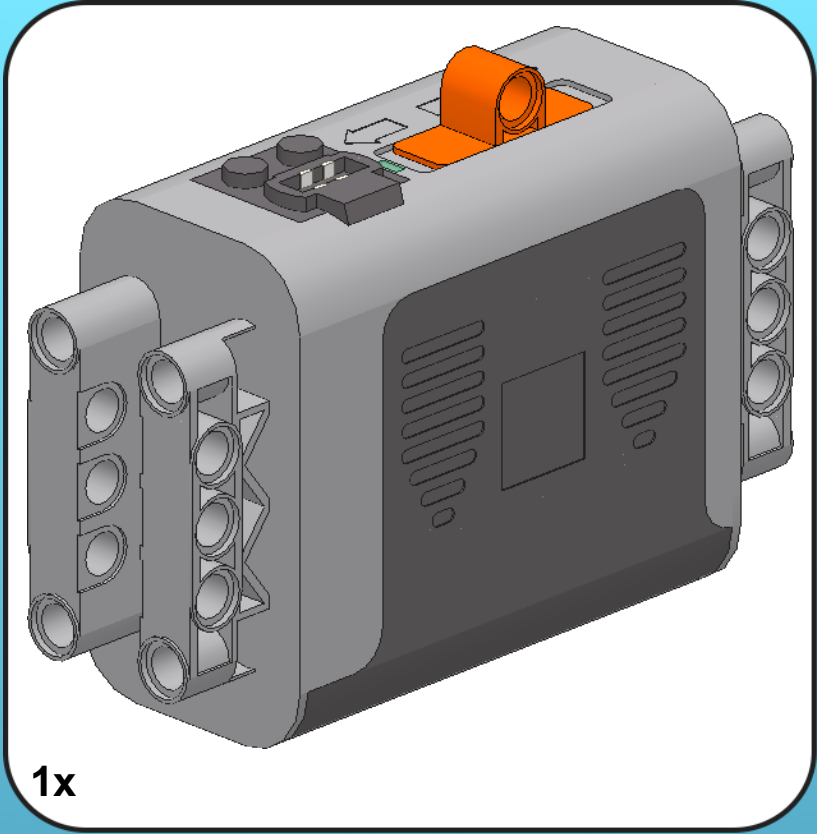
1x

This inset box shows the parts required for step 26: a black axle pin and a black L-shaped Technic beam (1x5 holes).

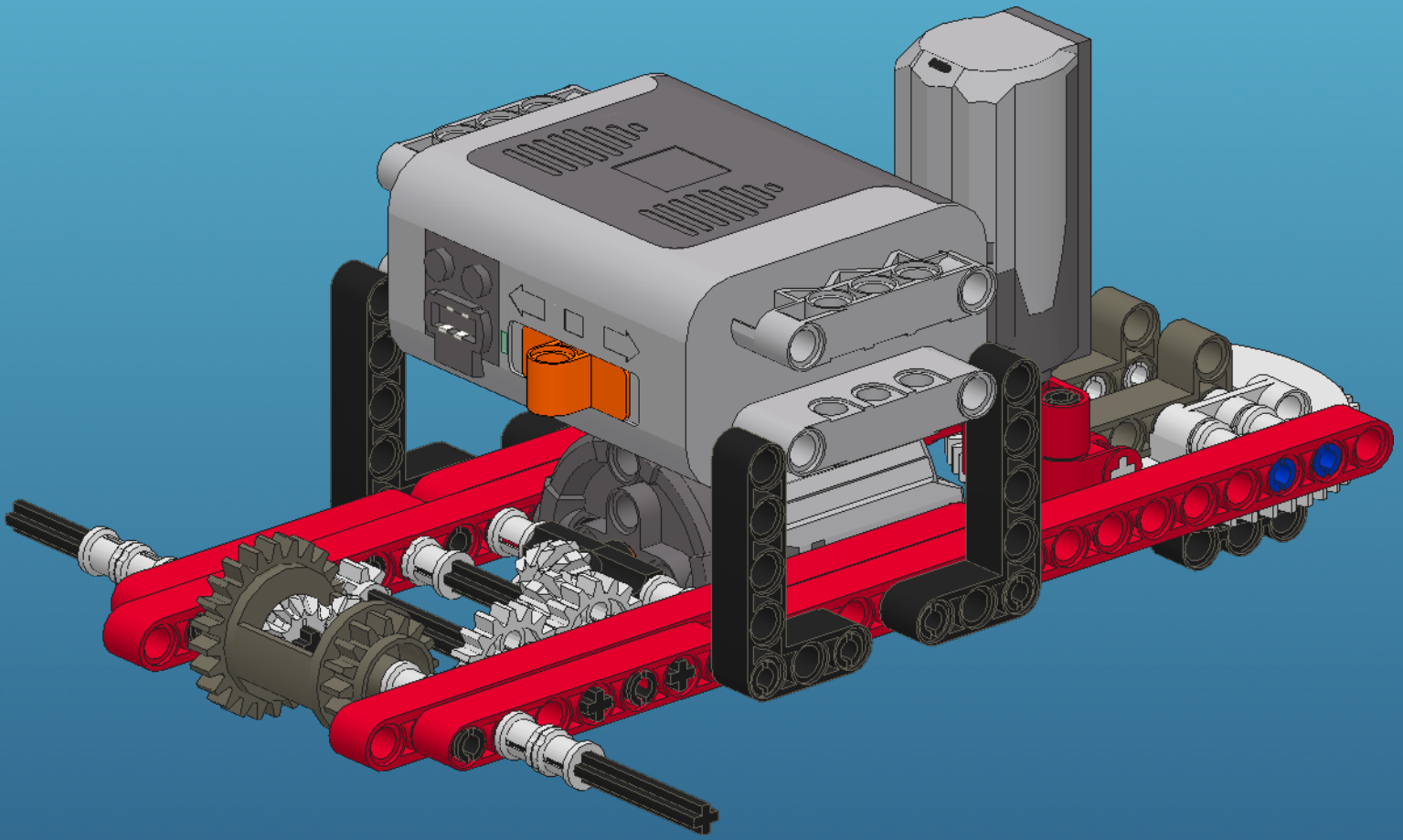


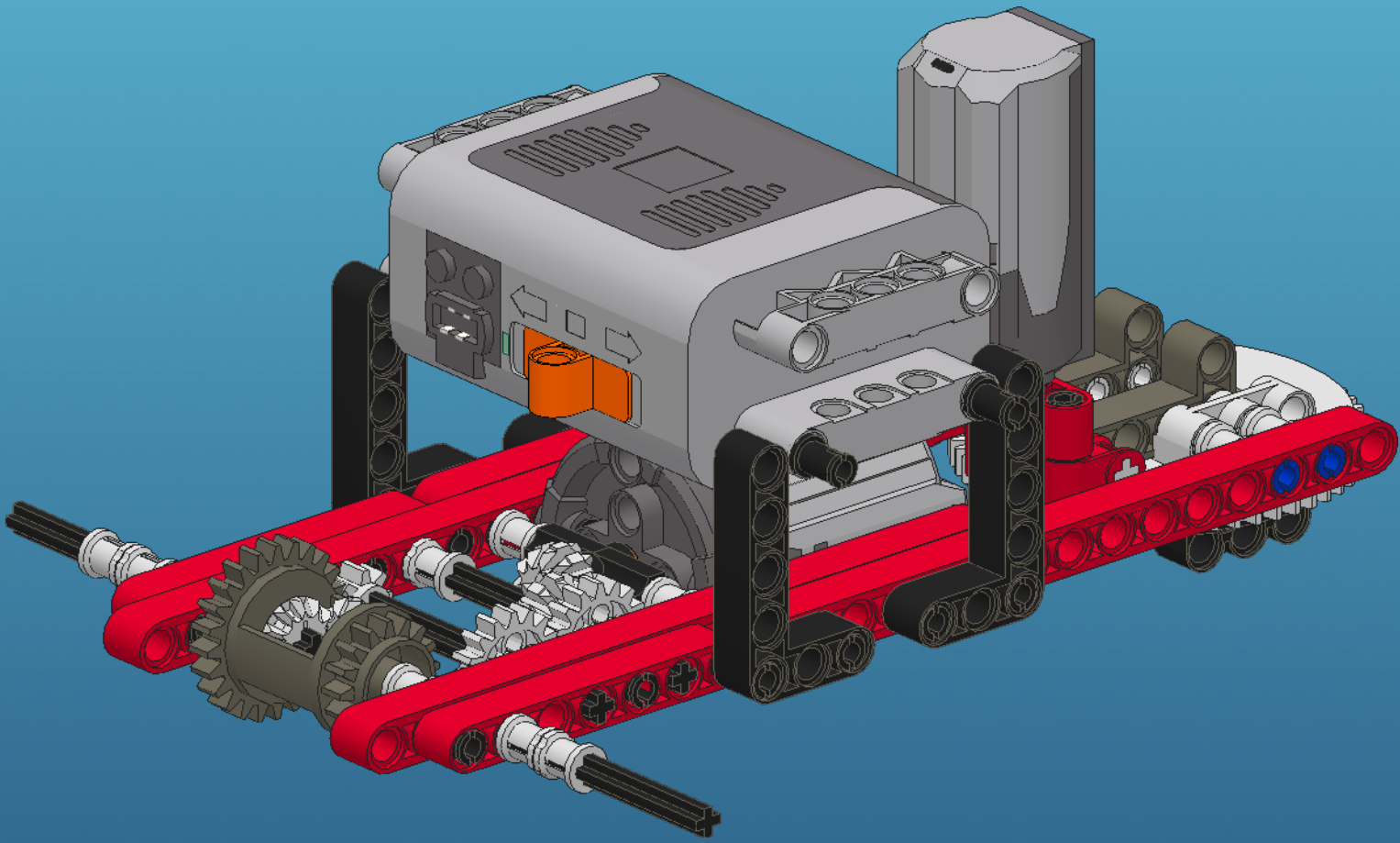


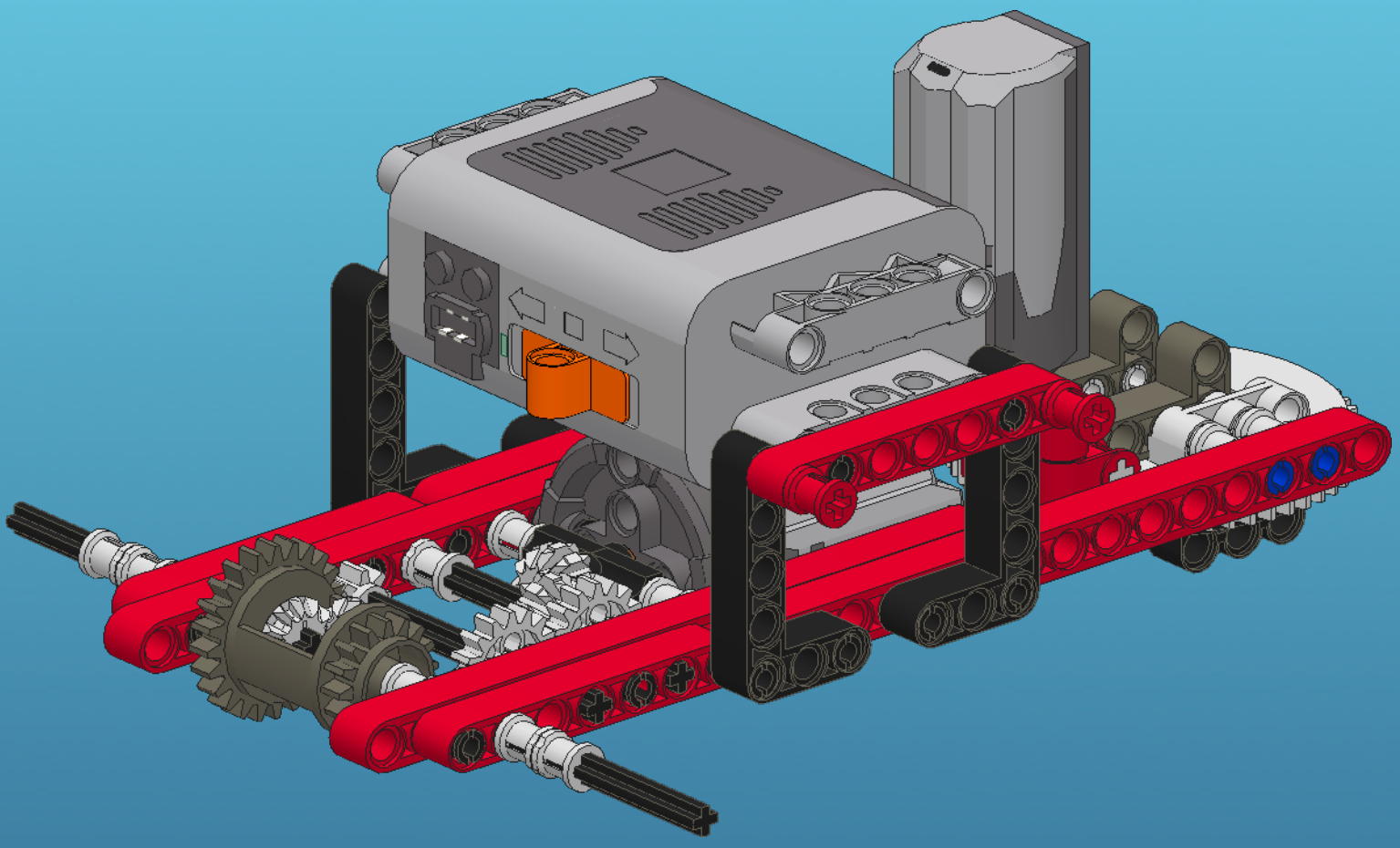
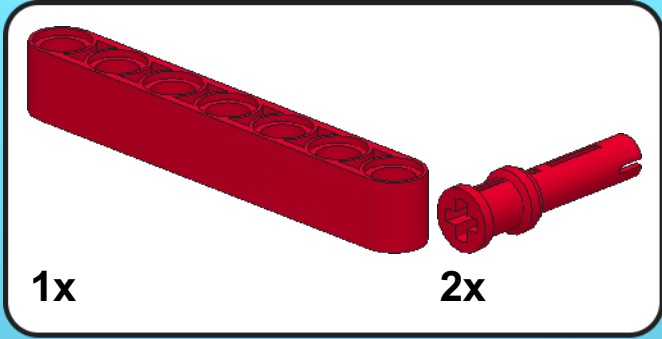


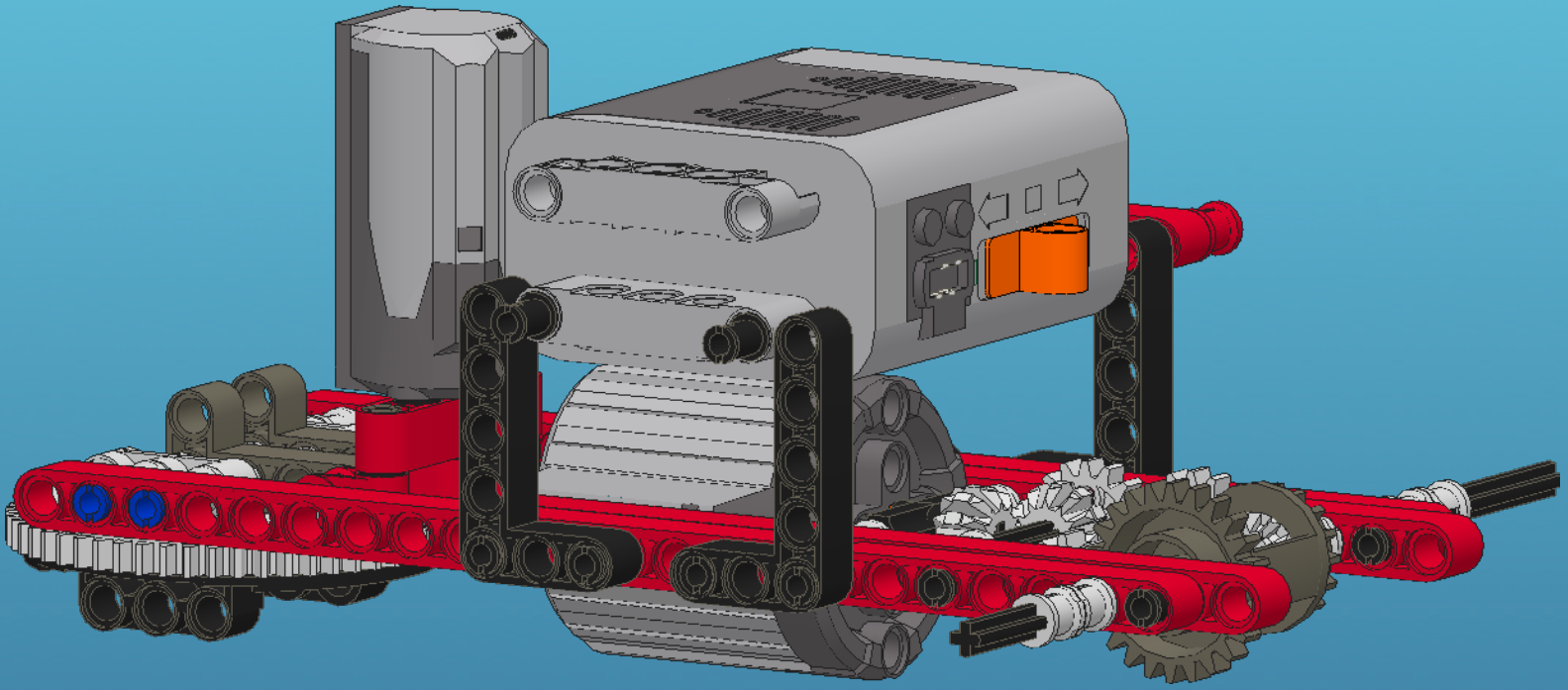


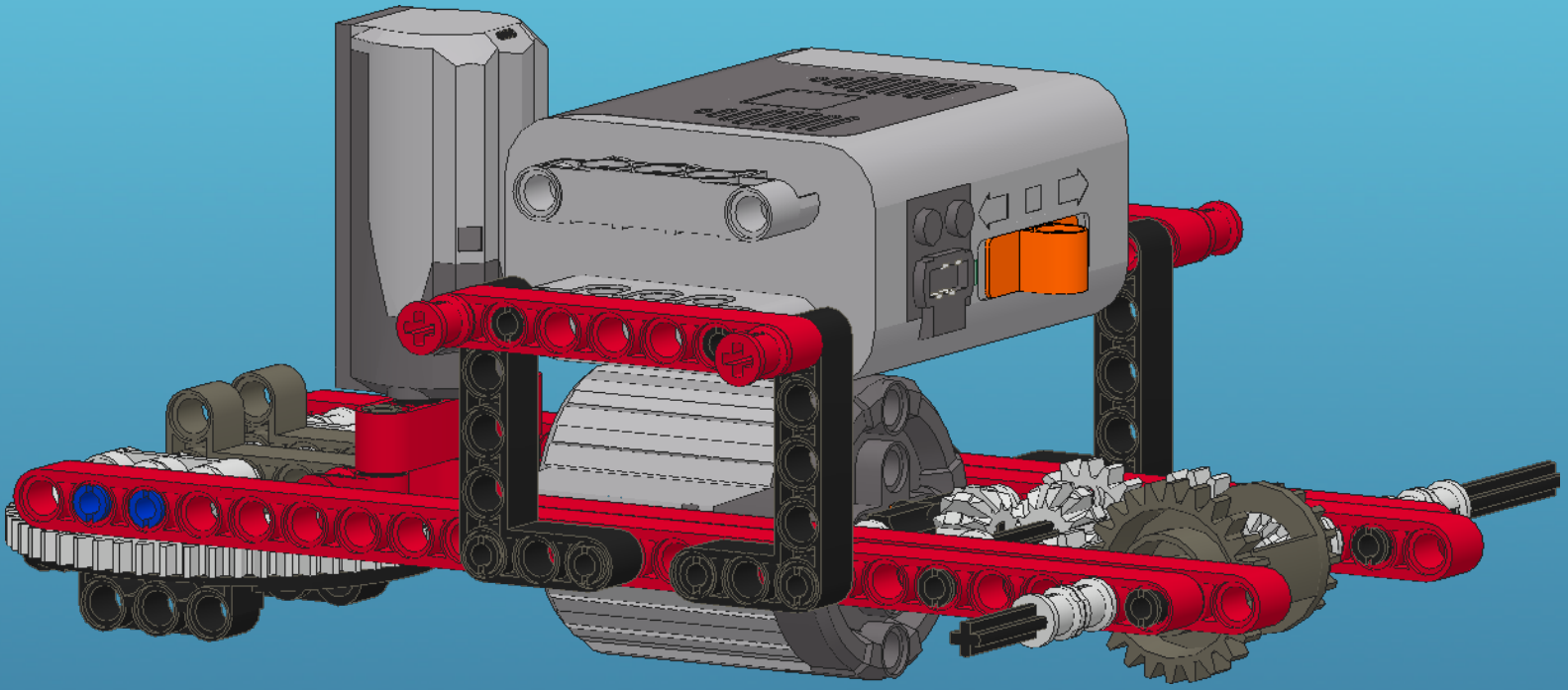
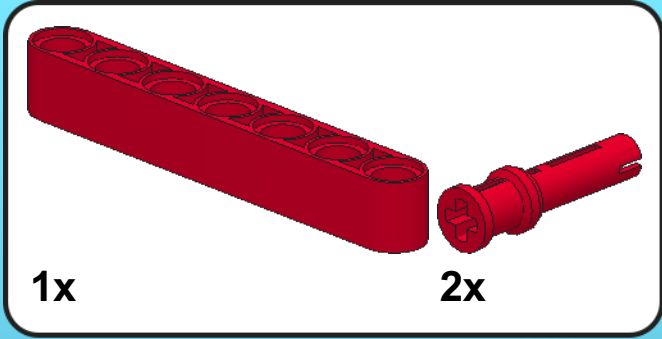
1x

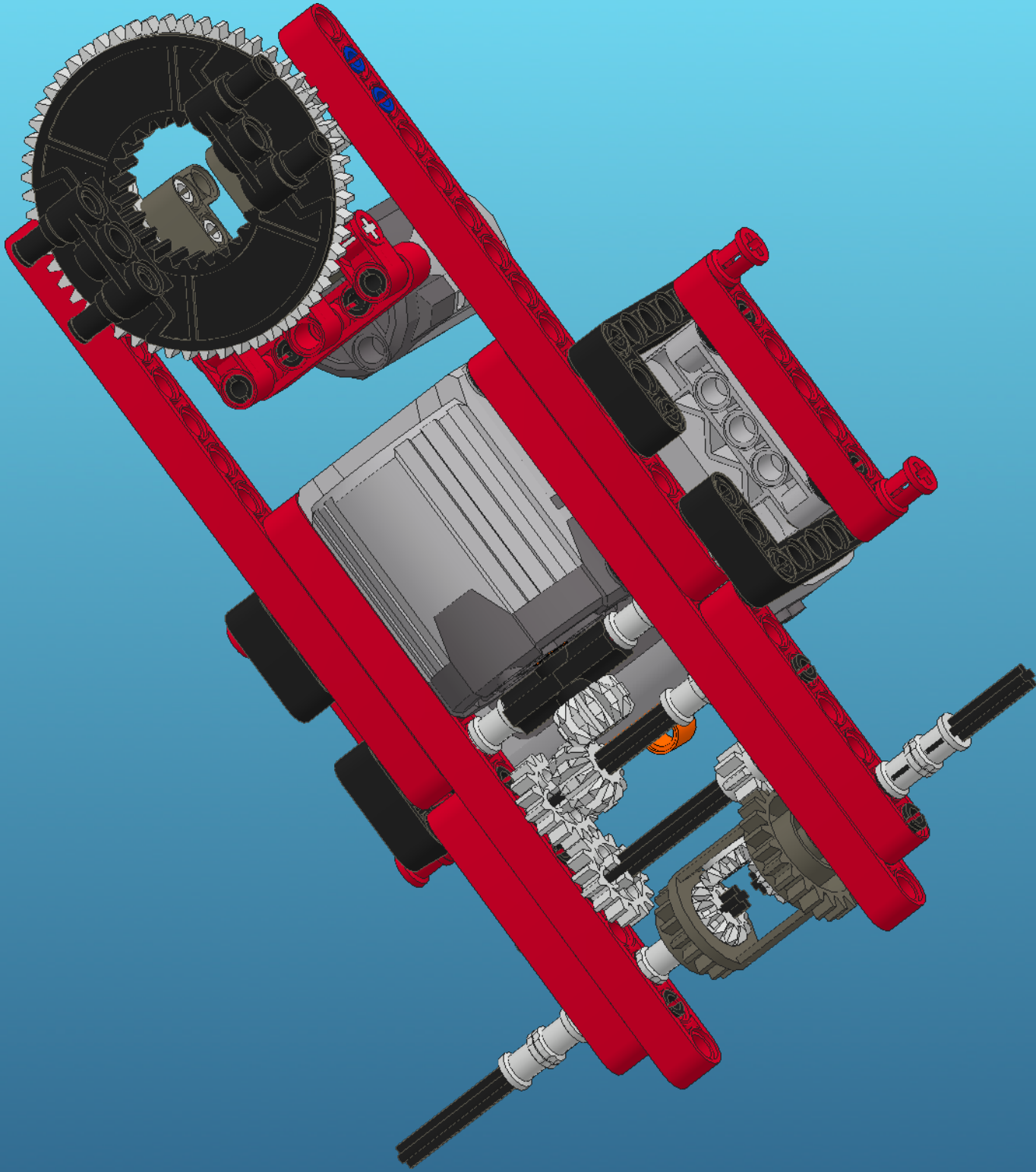


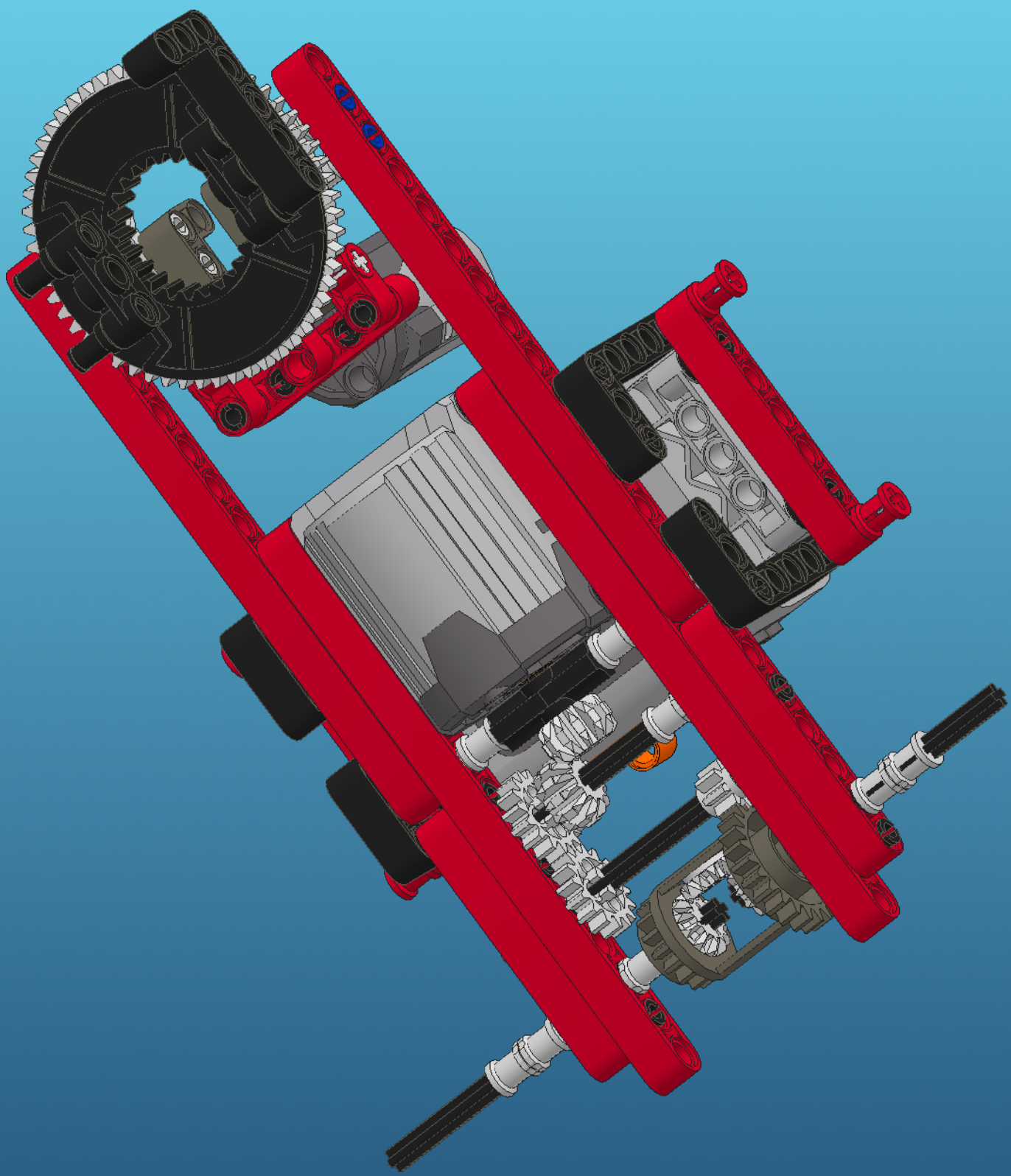
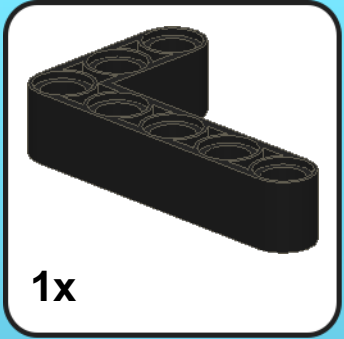




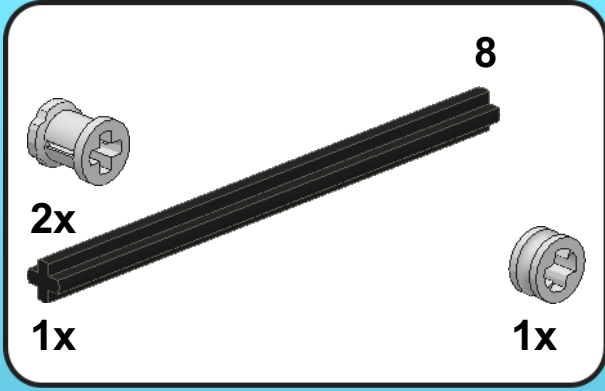








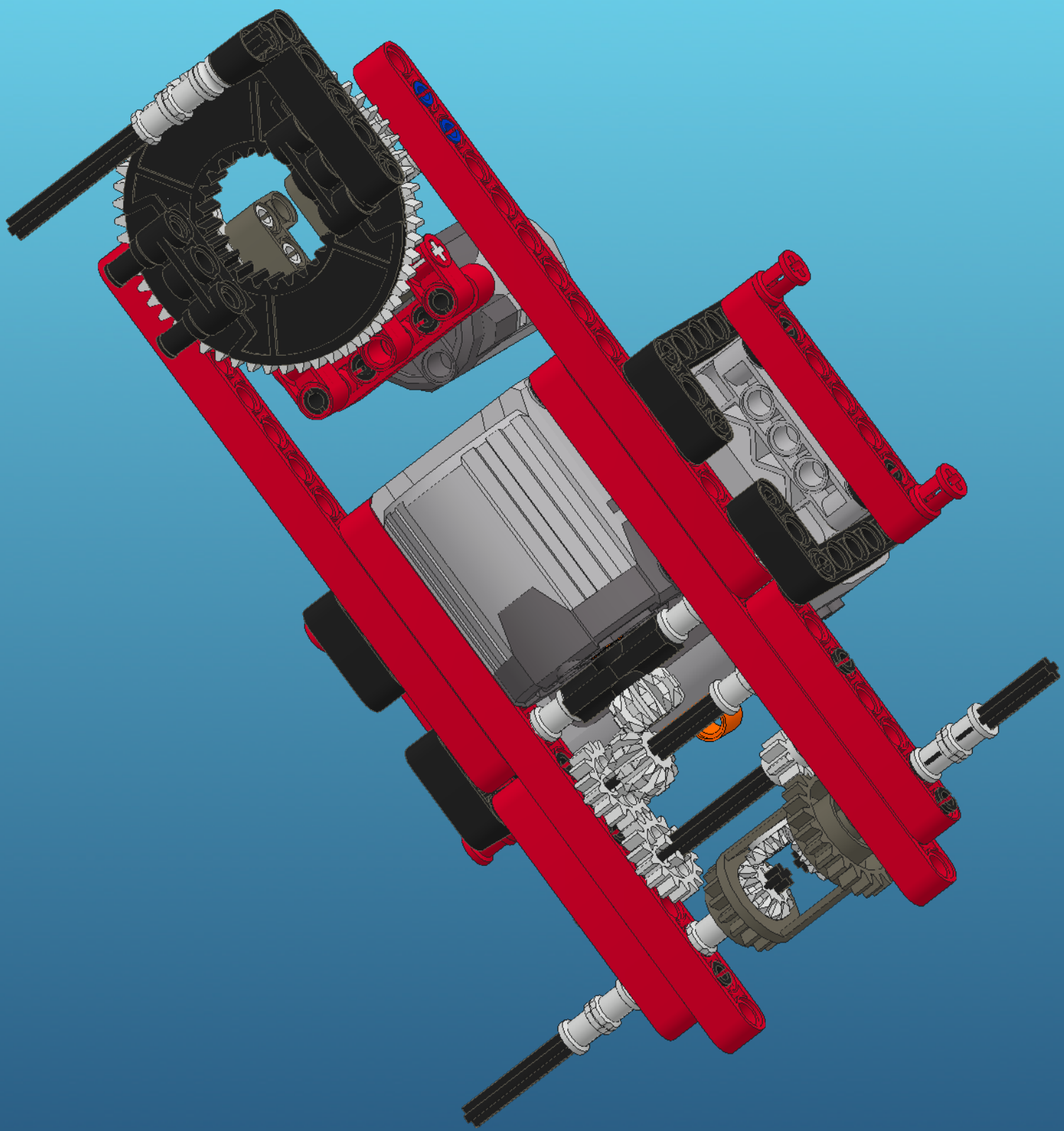
8

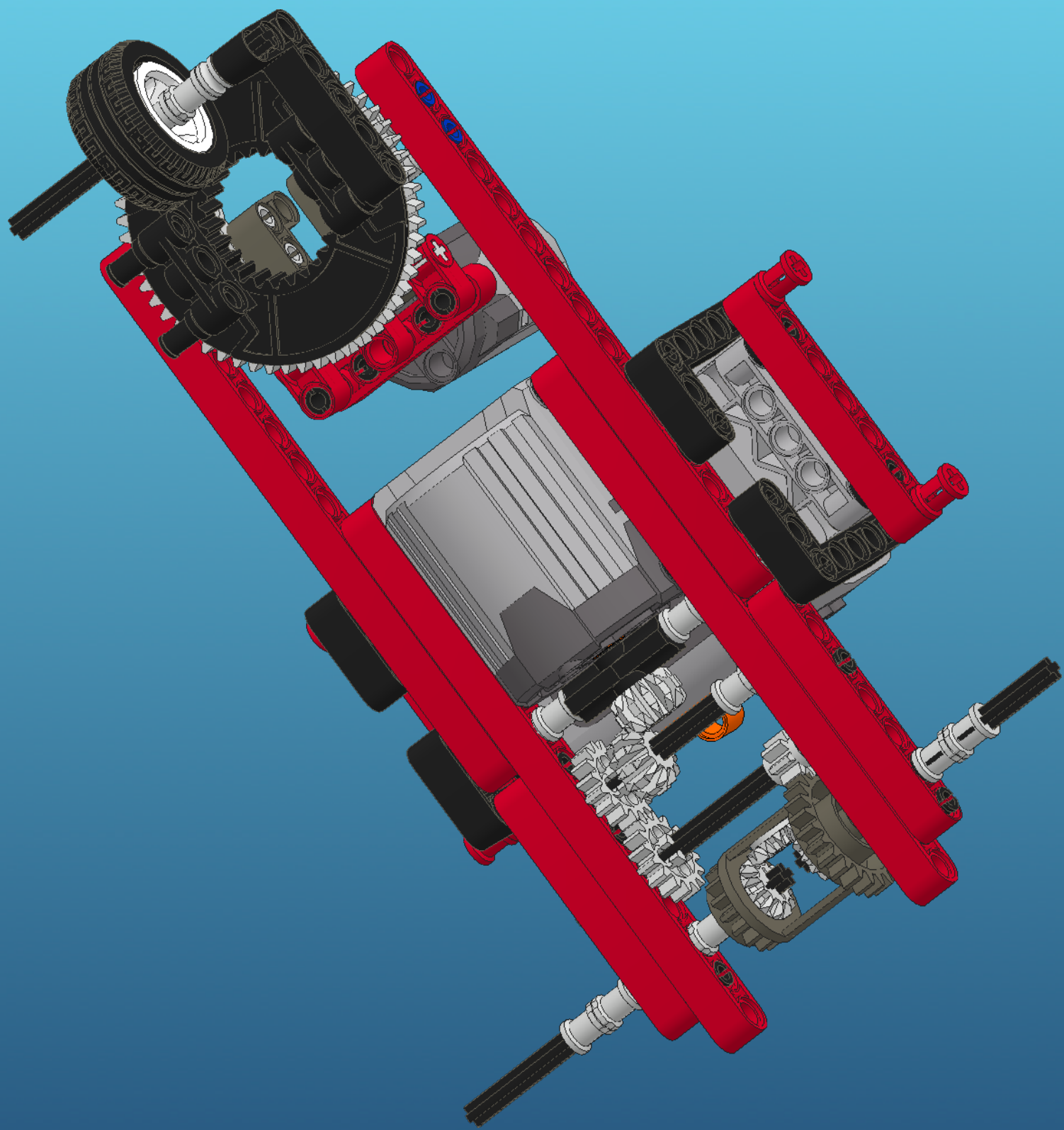
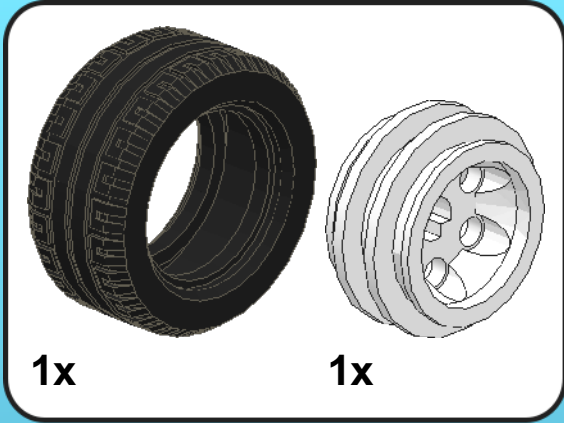


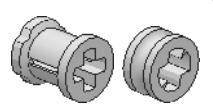
2x

1x

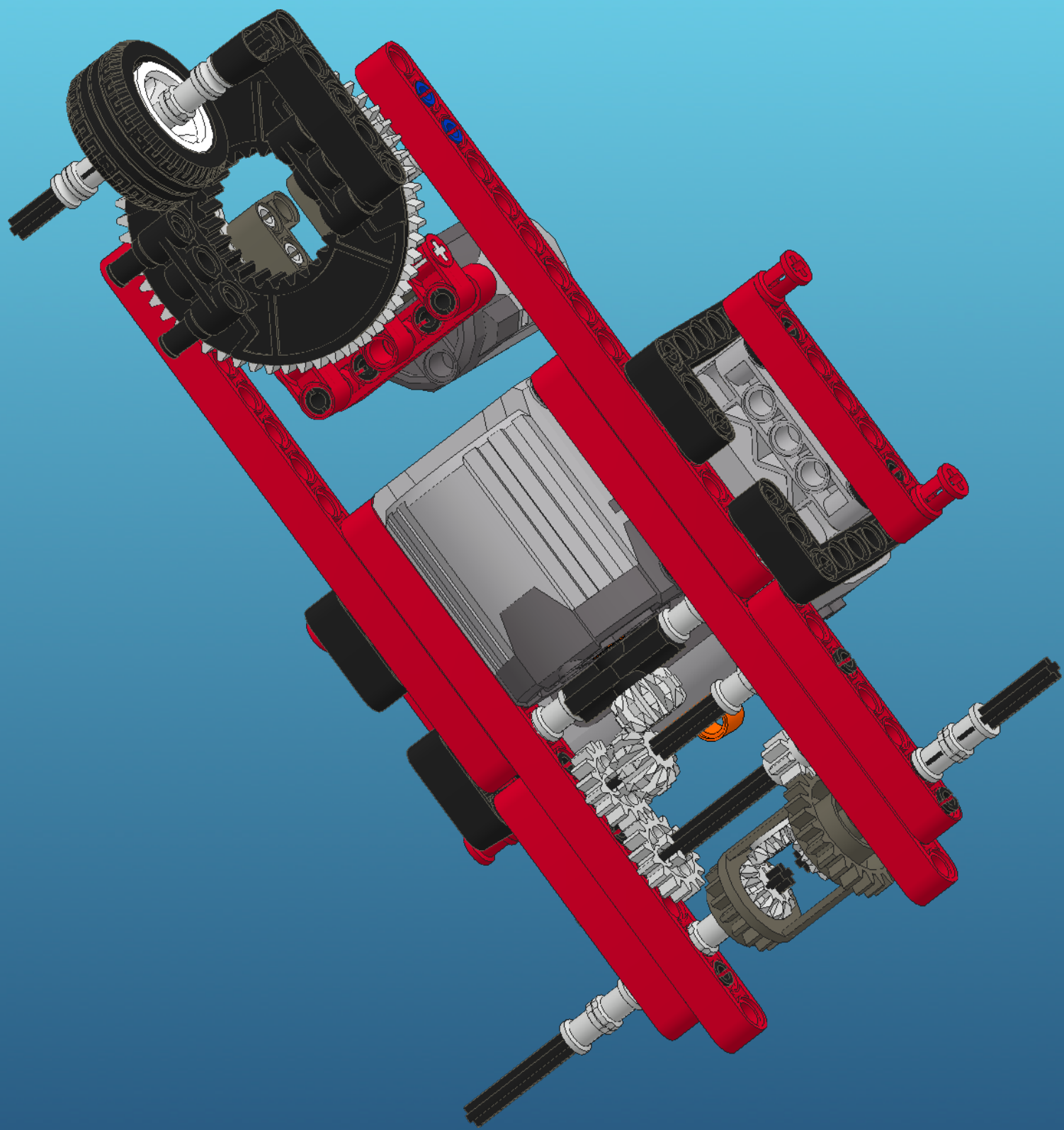
1x

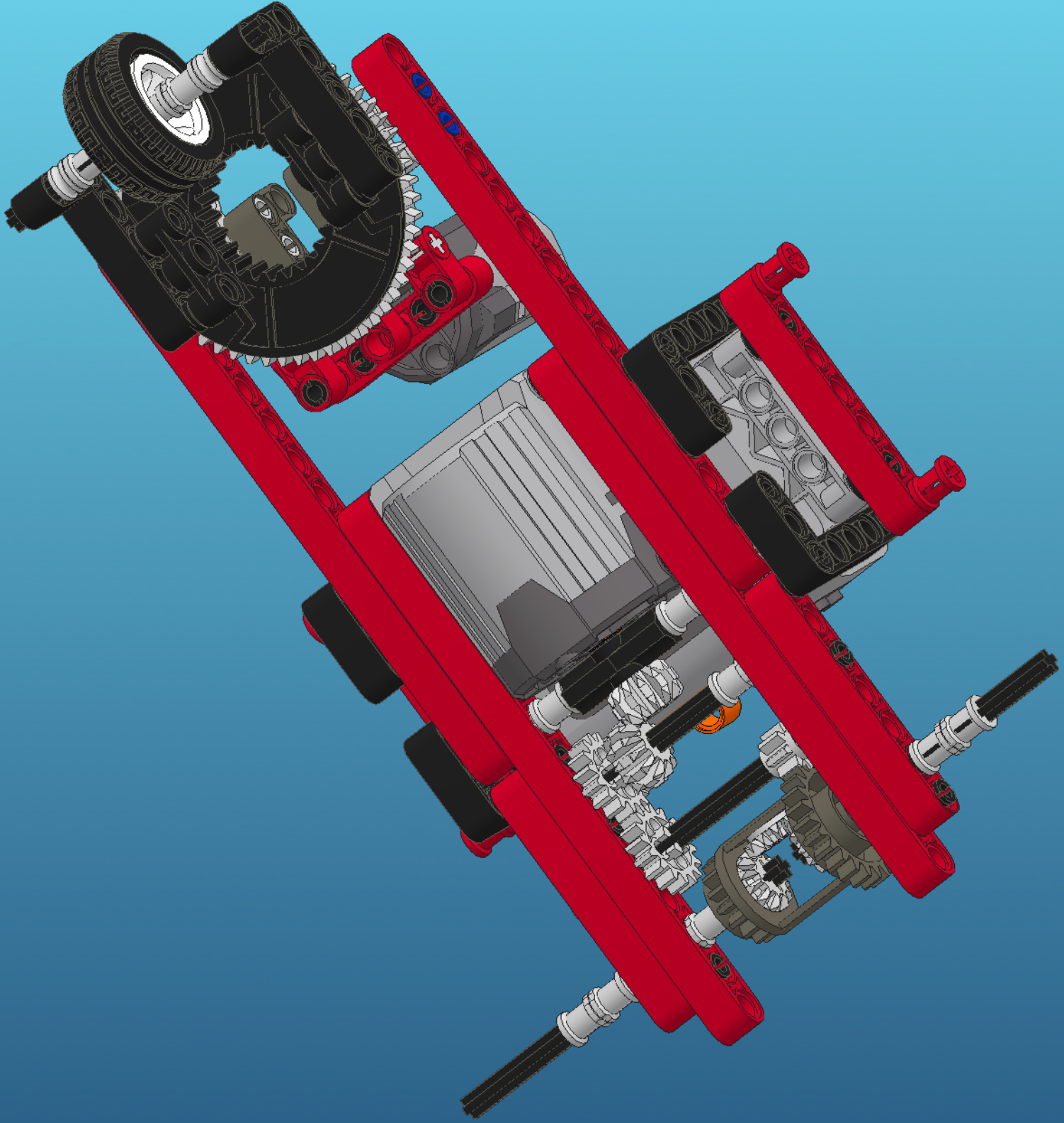
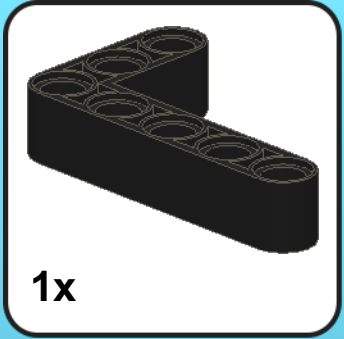


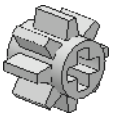


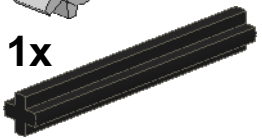


2x 1x





1x  4

1x  1x

