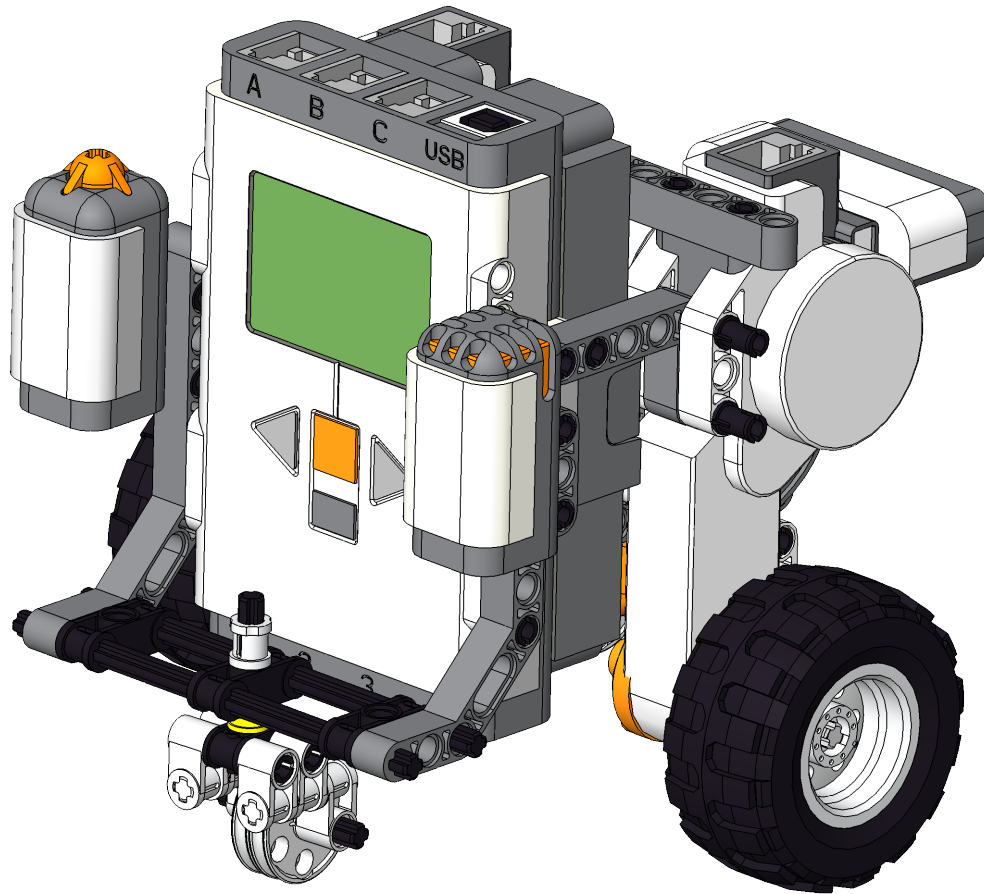


CattBot

Building Instructions

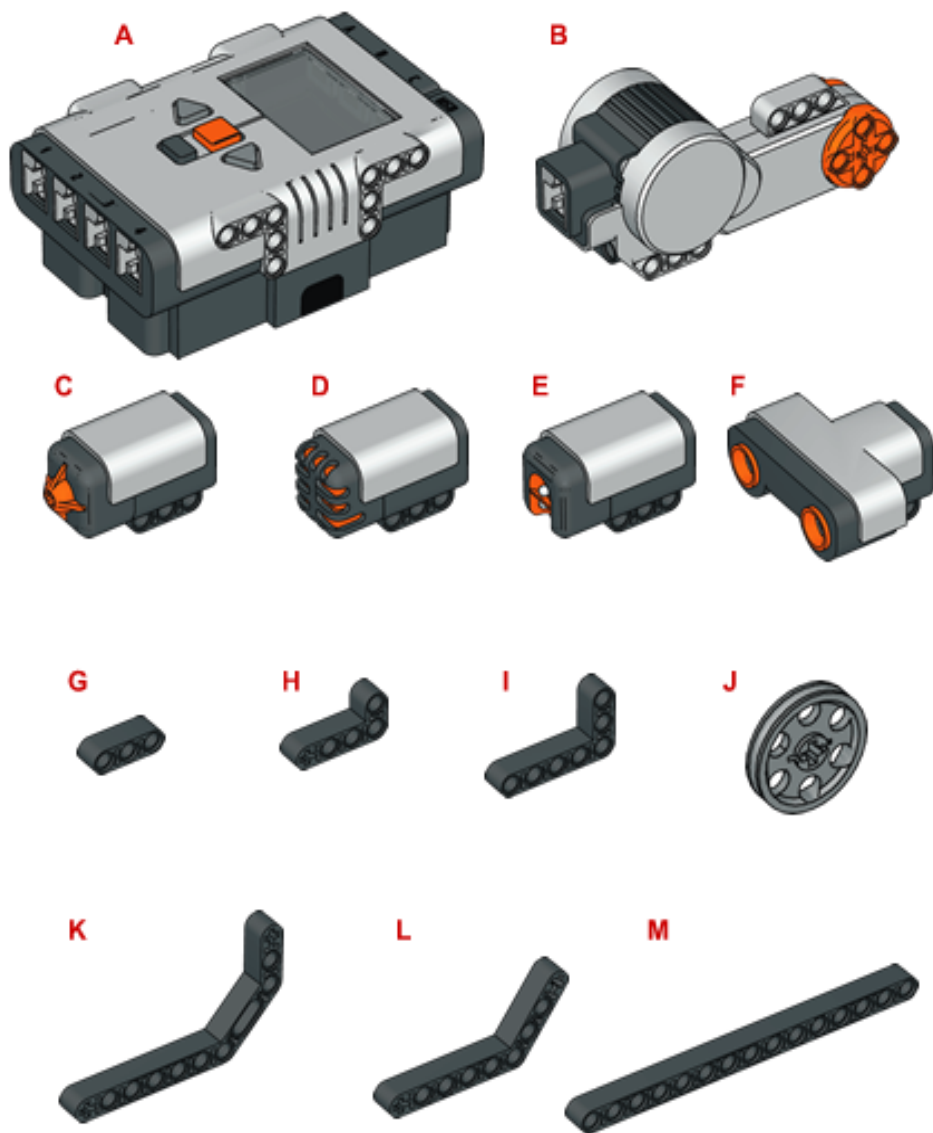


Parts Page 1

- A** 1x NXT Brick
- B** 2x Servo Motor
- C** 1x Touch Sensor
- D** 1x Sound Sensor
- E** 1x Light Sensor
- F** 1x Ultrasonic Sensor
- G** 2x 3-Module Beam
- H** 2x 4x2 Angular Beam
- I** 2x 3x5 Angular Beam
- J** 4x 24x4 Hub
- K** 2x 3x7 Angular Beam
- L** 2x 4x6 Angular Beam
- M** 1x 15-Module Beam

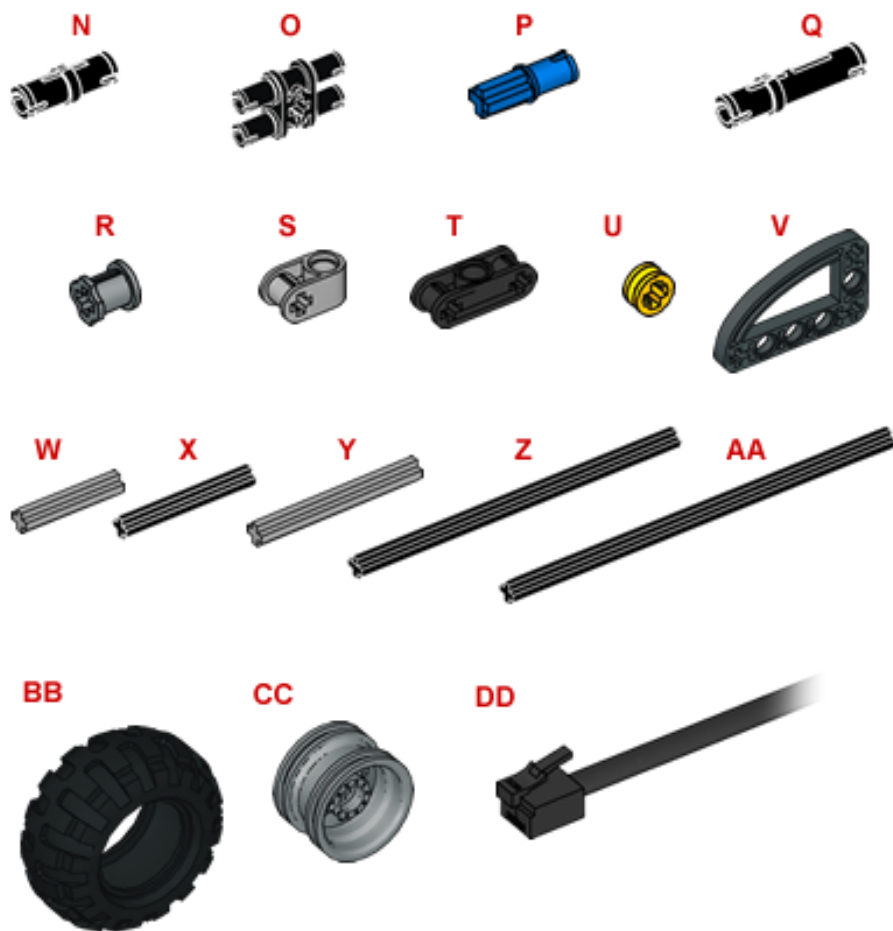
A = Part Number

1x = Amount Needed

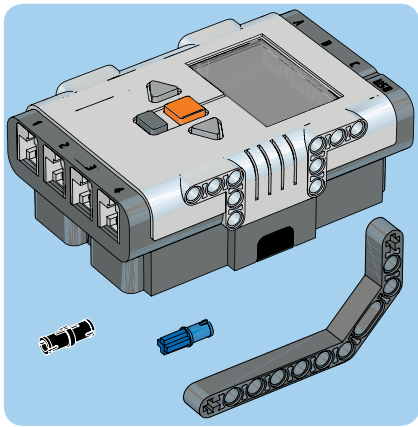


Parts Page 2

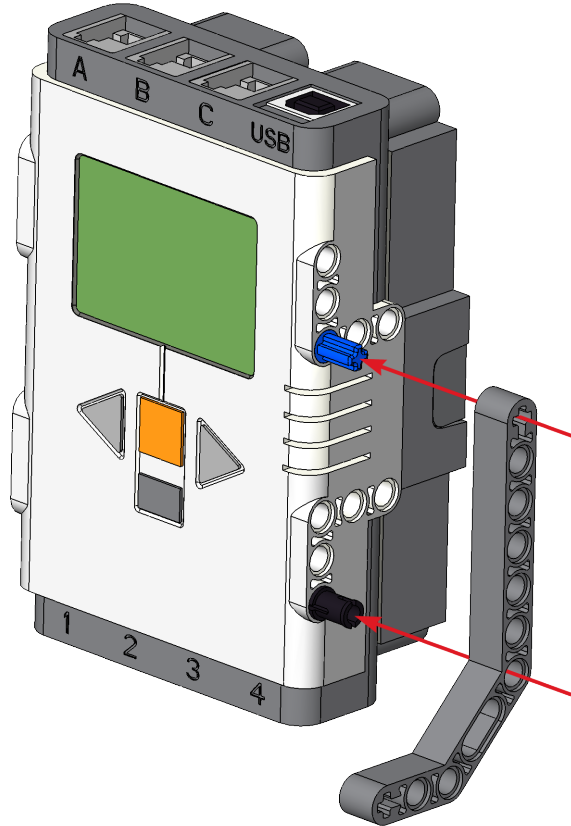
- N** 16x Connector Peg
- O** 1x Double Connector Peg
- P** 8x Connector Peg w/Axle
- Q** 8x 3-Module Connector Peg
- R** 5x Bushing
- S** 6x 2-Module Cross Block
- T** 3x Double Cross Block
- U** 1x Half Bushing
- V** 4x 3x5 Curve Half Beam
- W** 2x 3-Module Axle
- X** 2x 4-Module Axle
- Y** 3x 5-Module Axle
- Z** 1x 10-Module Axle
- AA** 2x 12-Module Axle
- BB** 4x 56x26 Tire
- CC** 3x 30x20 Hub
- DD** 6x Electrical Cable

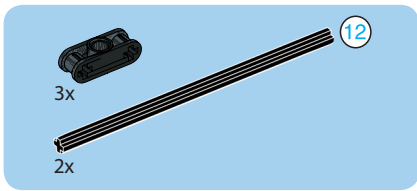


- A** = Part Number
- 1x** = Amount Needed

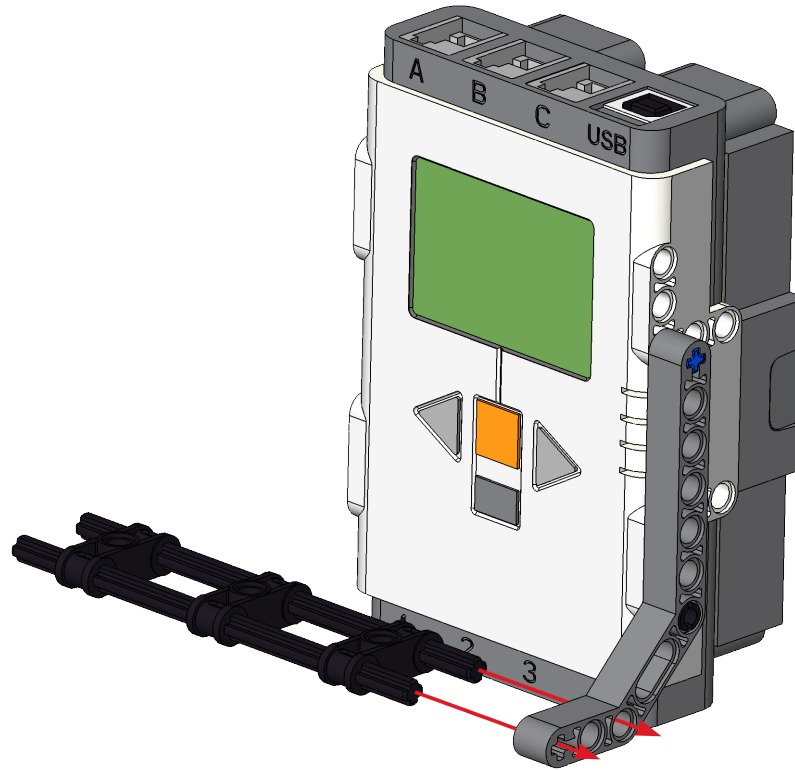


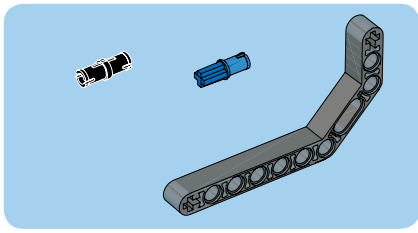
1



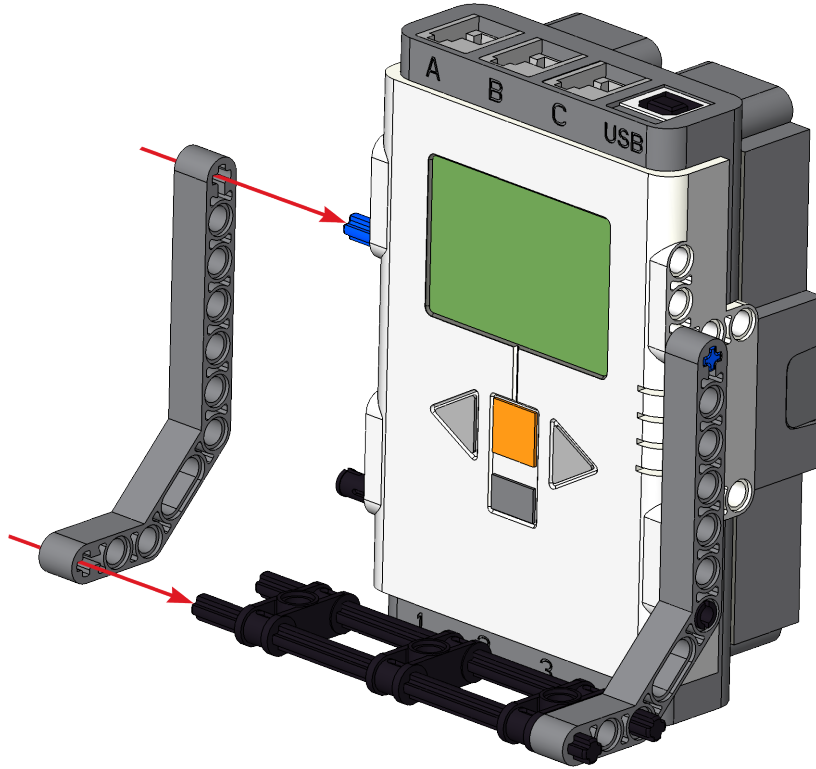


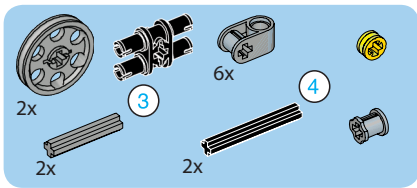
2





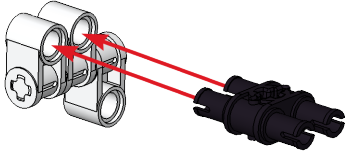
3



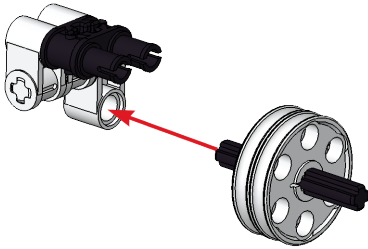


4

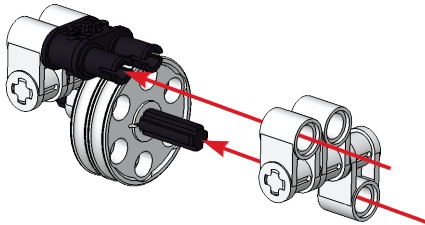
1



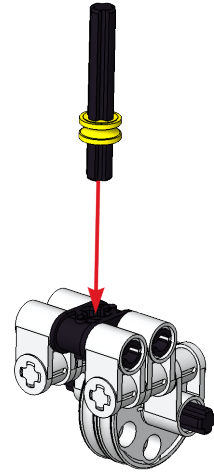
2



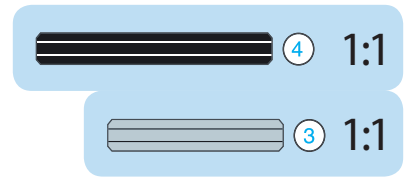
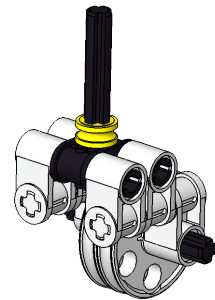
3

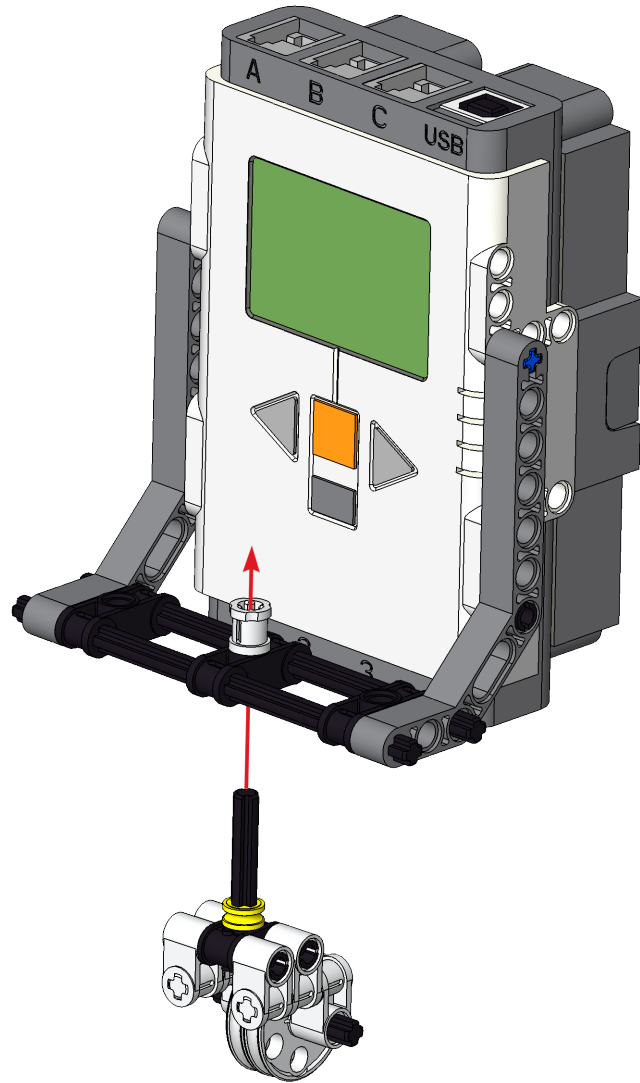


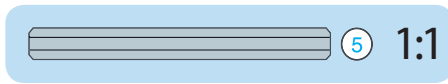
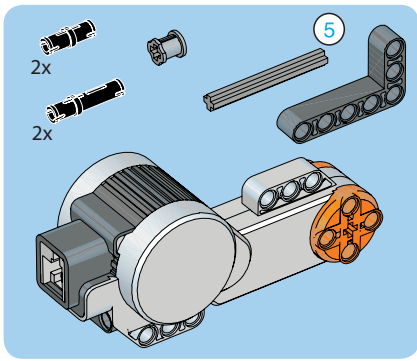
4



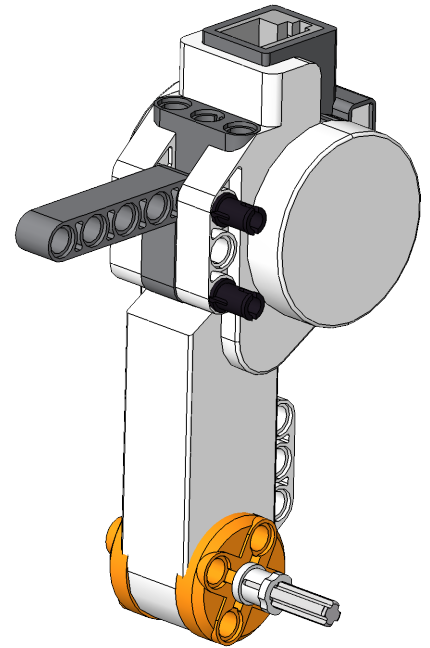
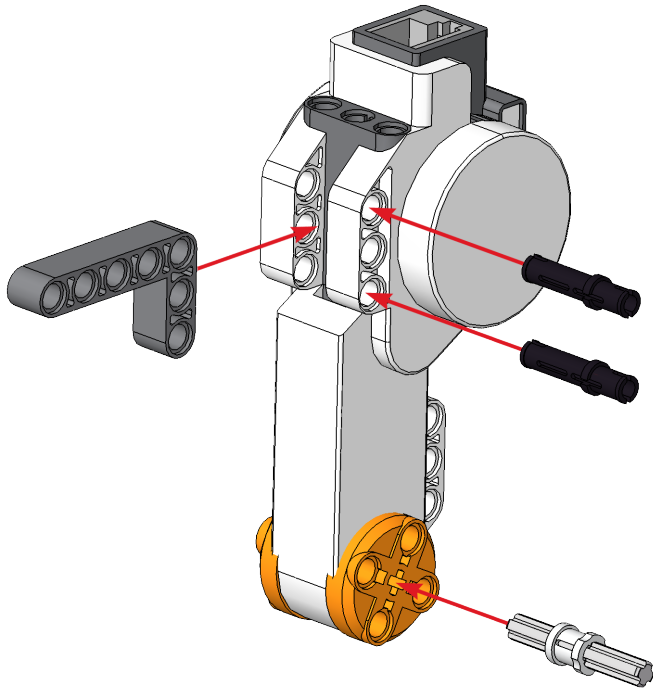
5

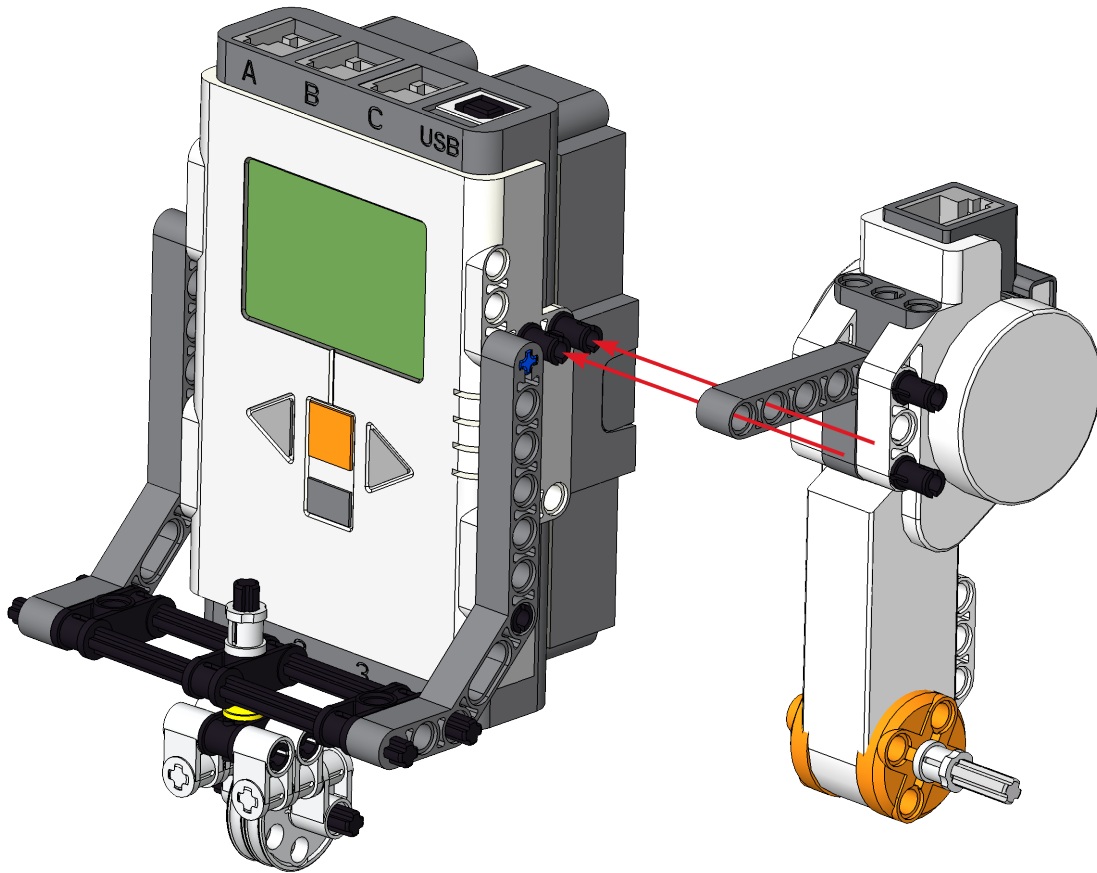


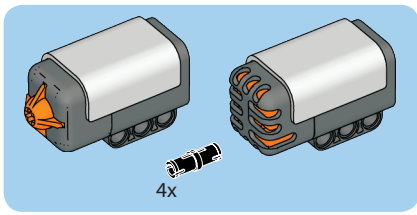




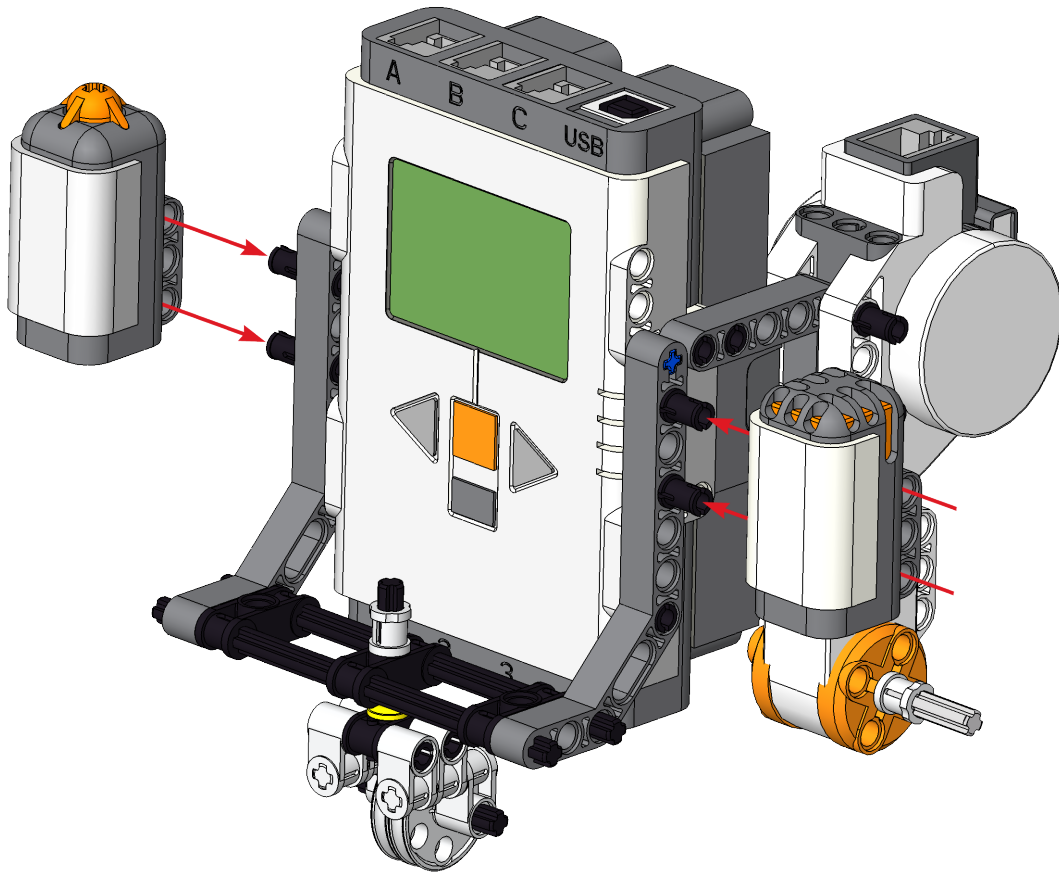
5

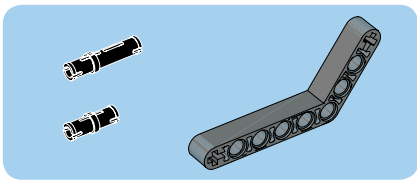




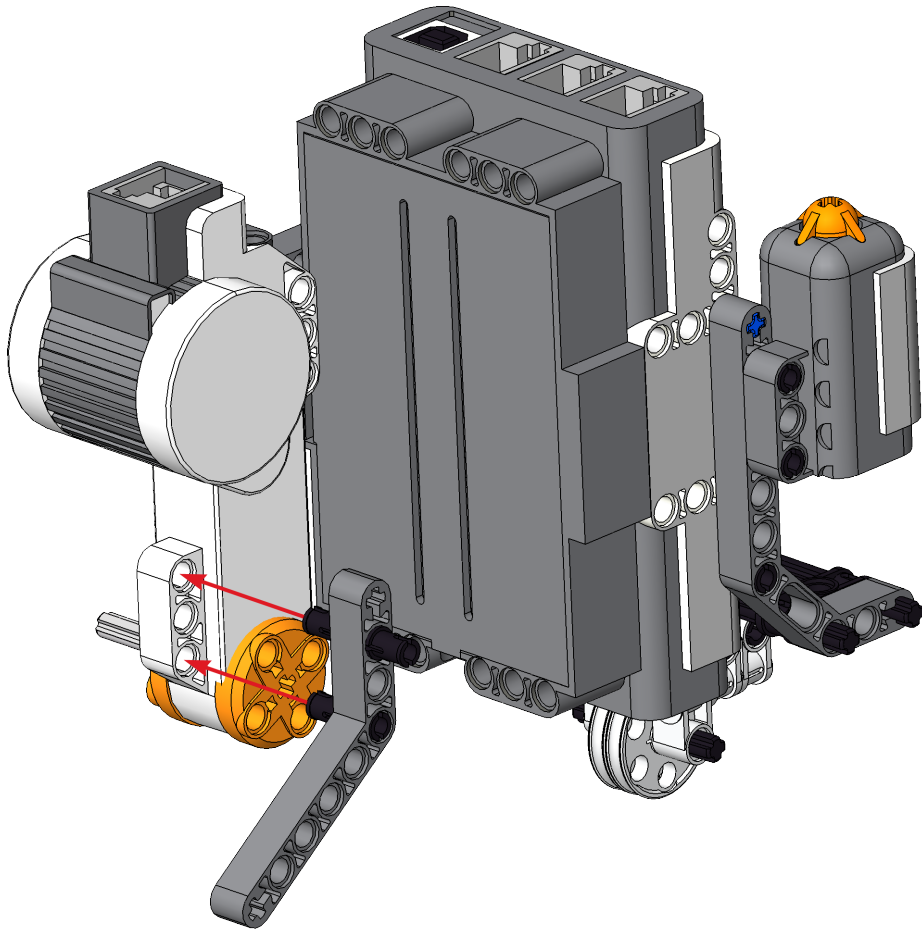
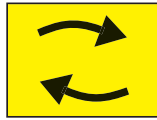


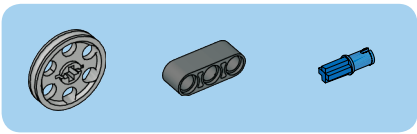
6



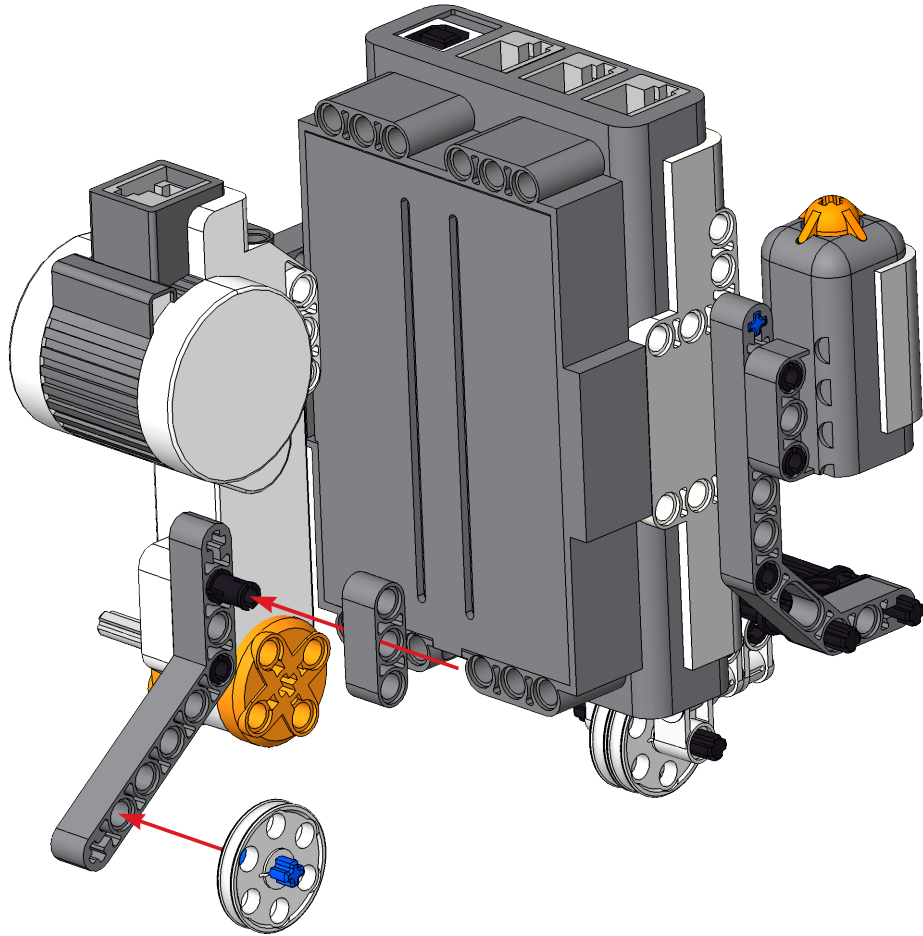


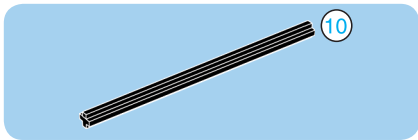
7



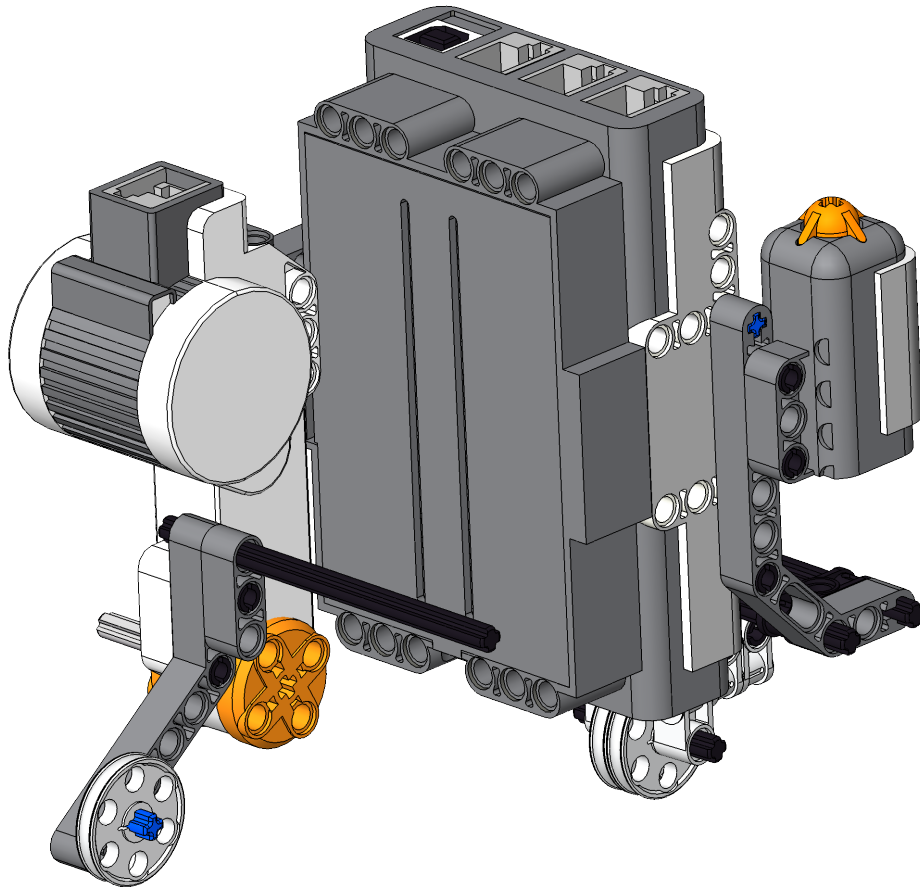


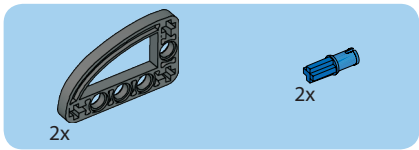
8



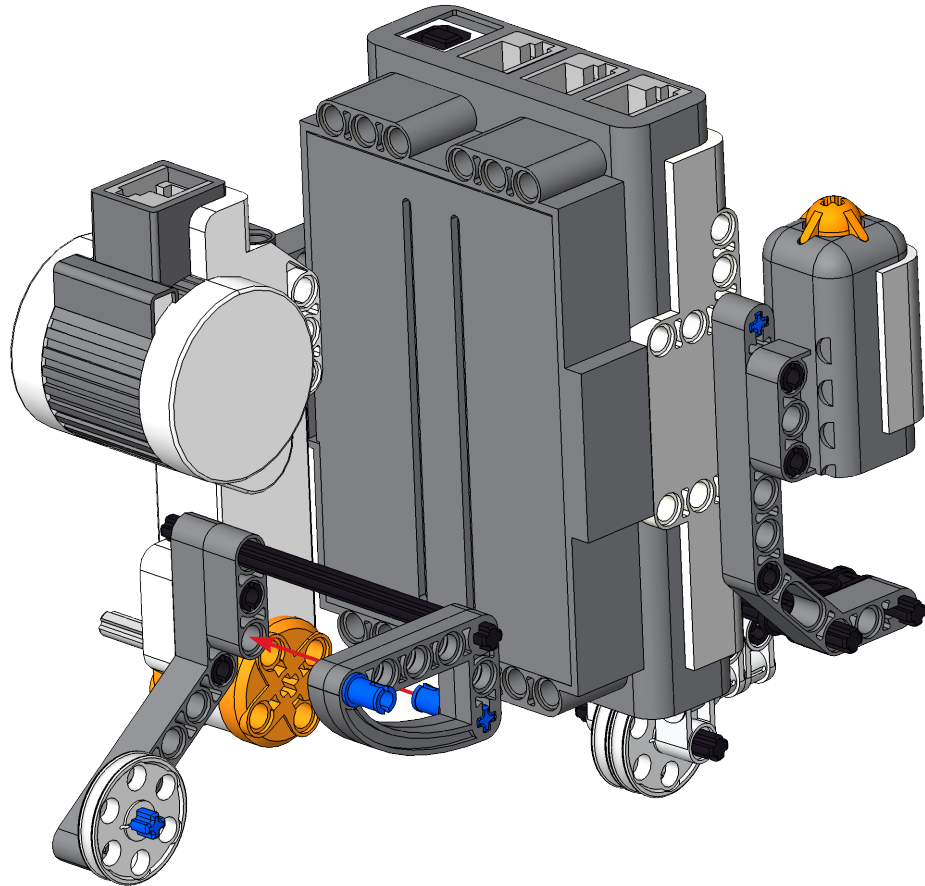


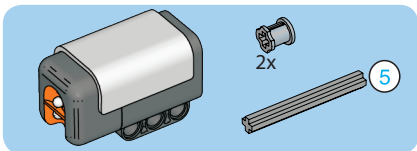
9



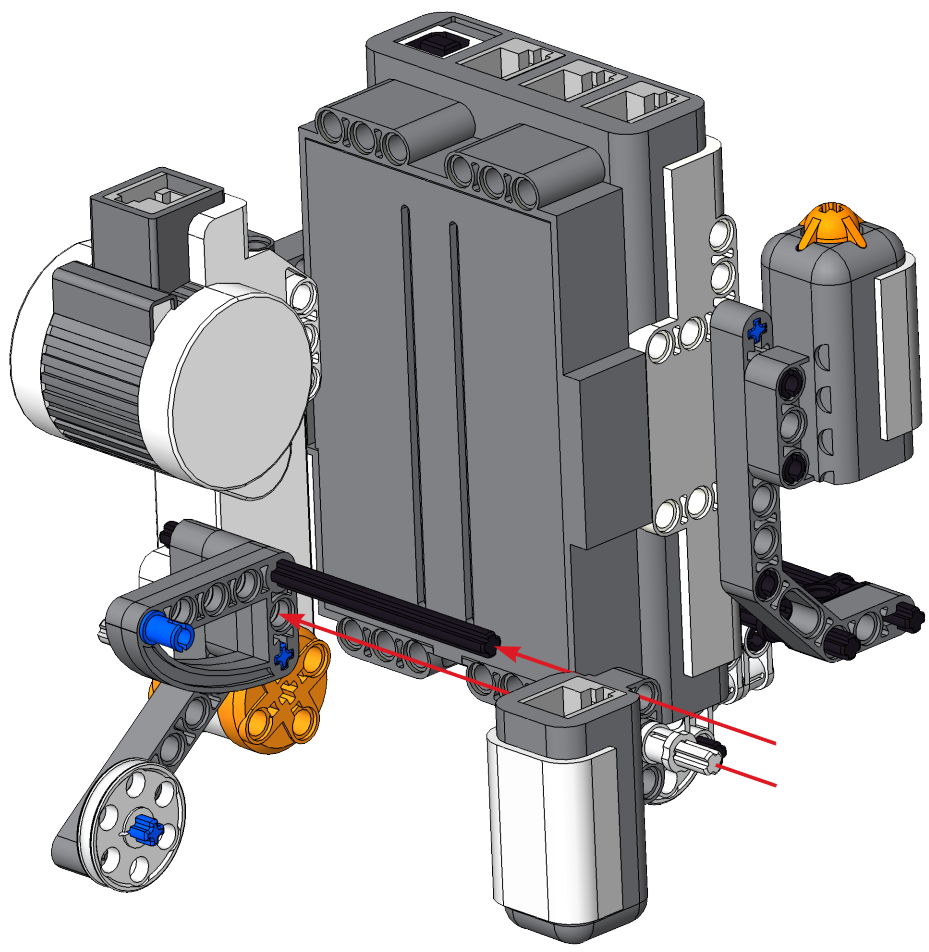


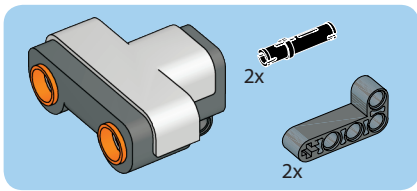
10



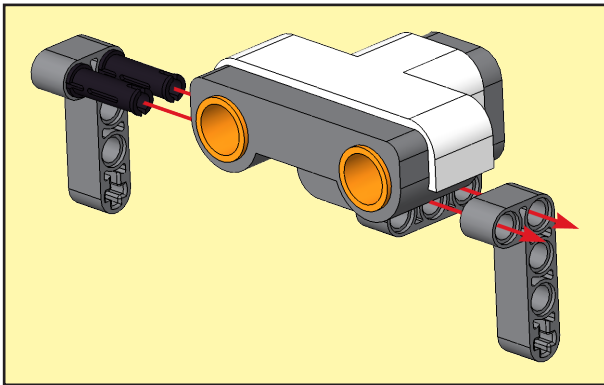
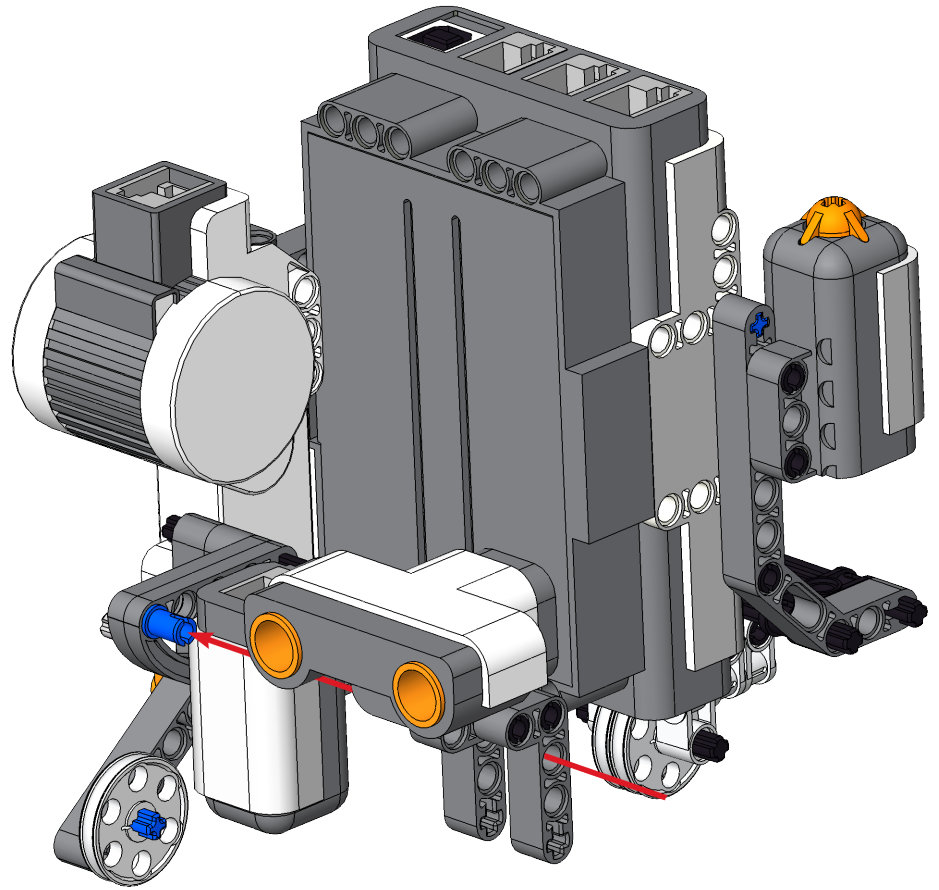


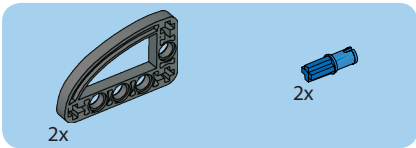
11



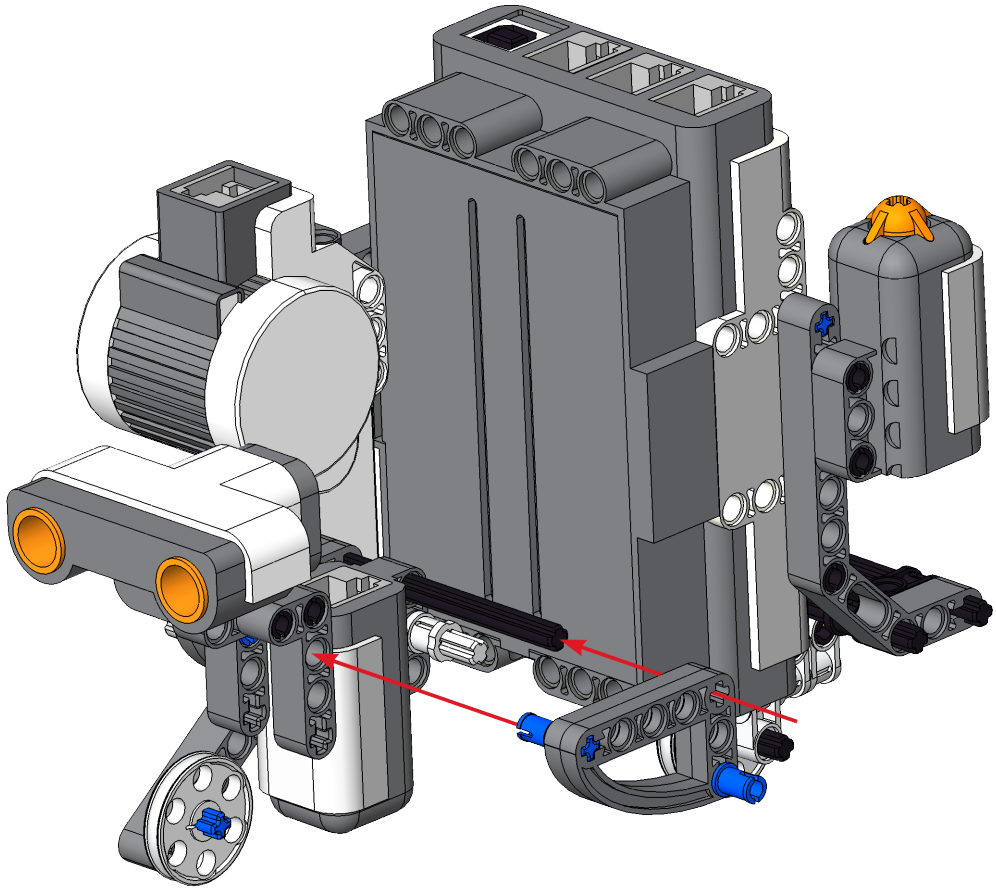


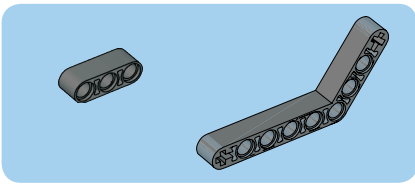
12



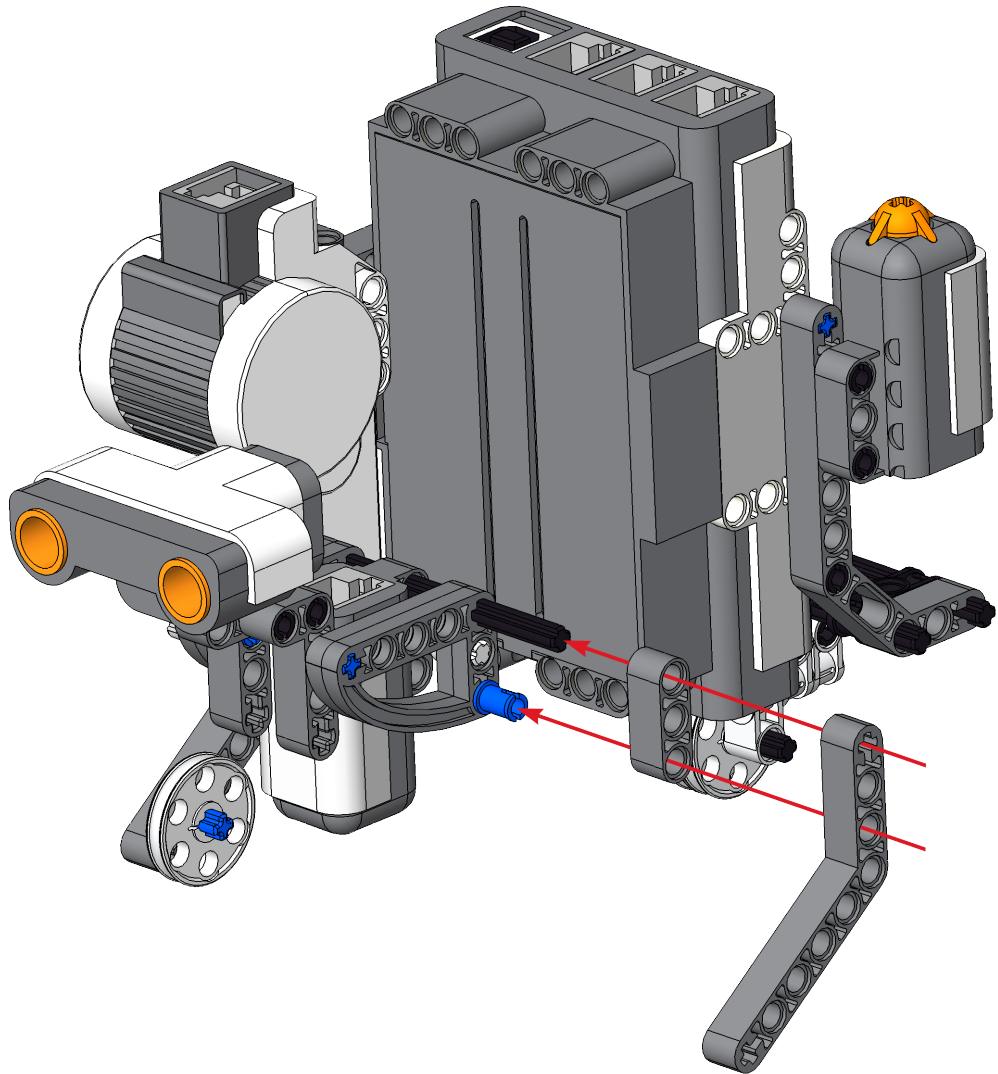


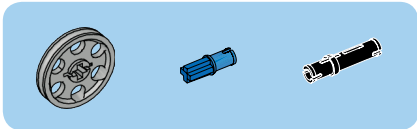
13



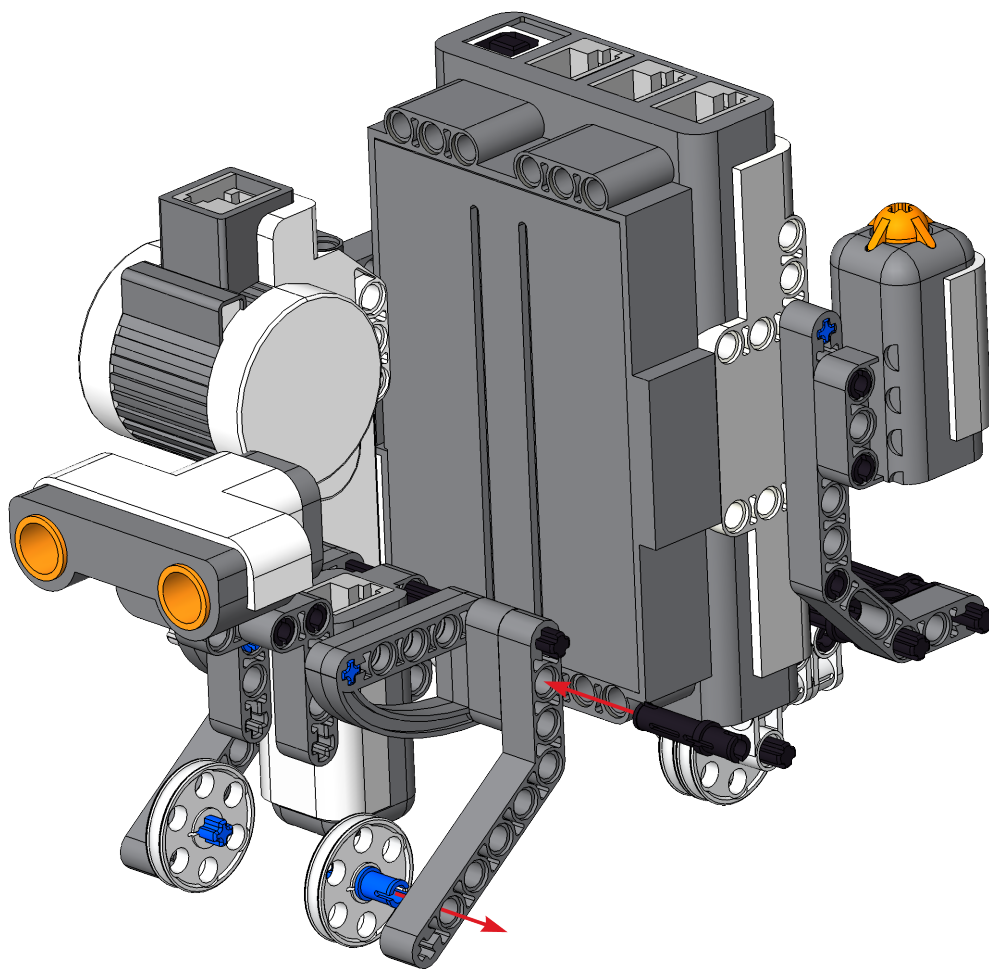


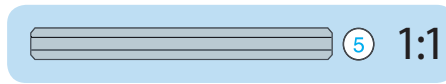
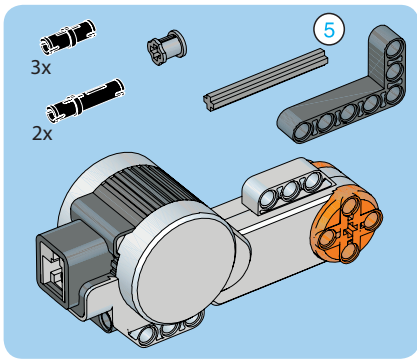
14



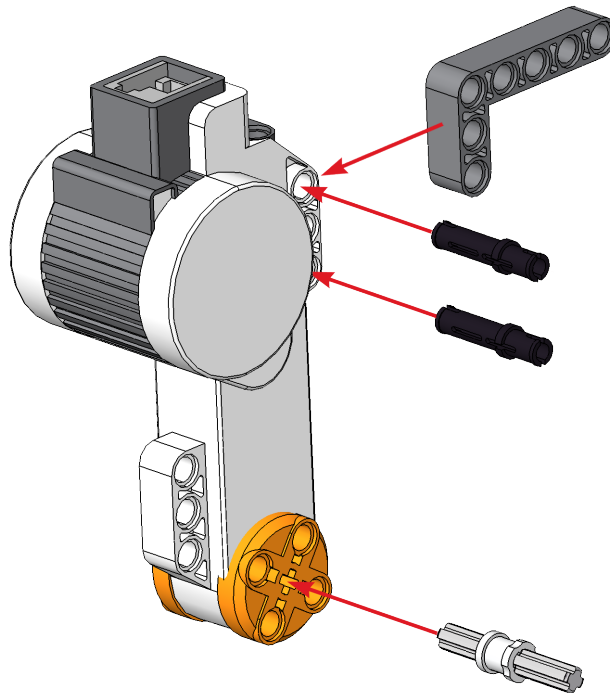


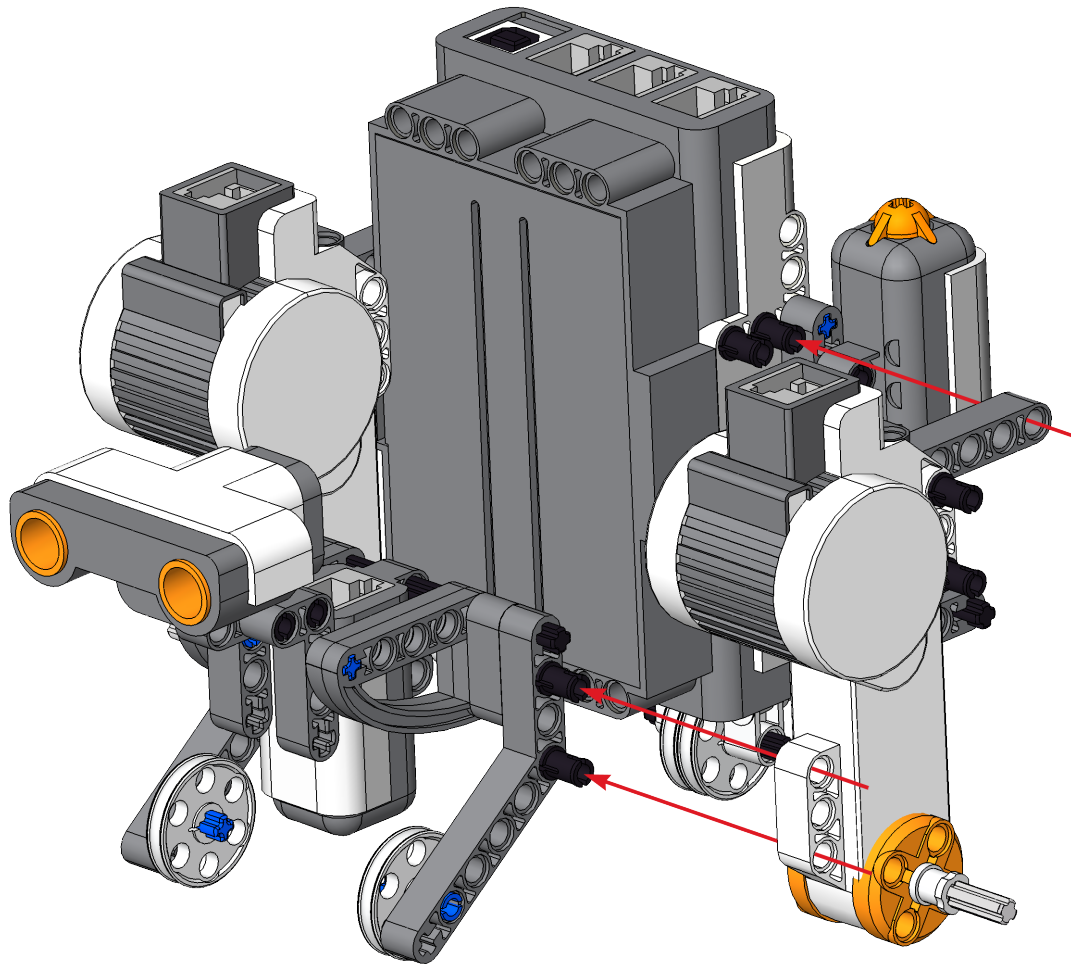
15

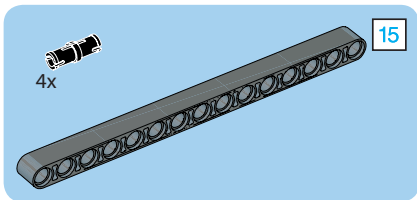




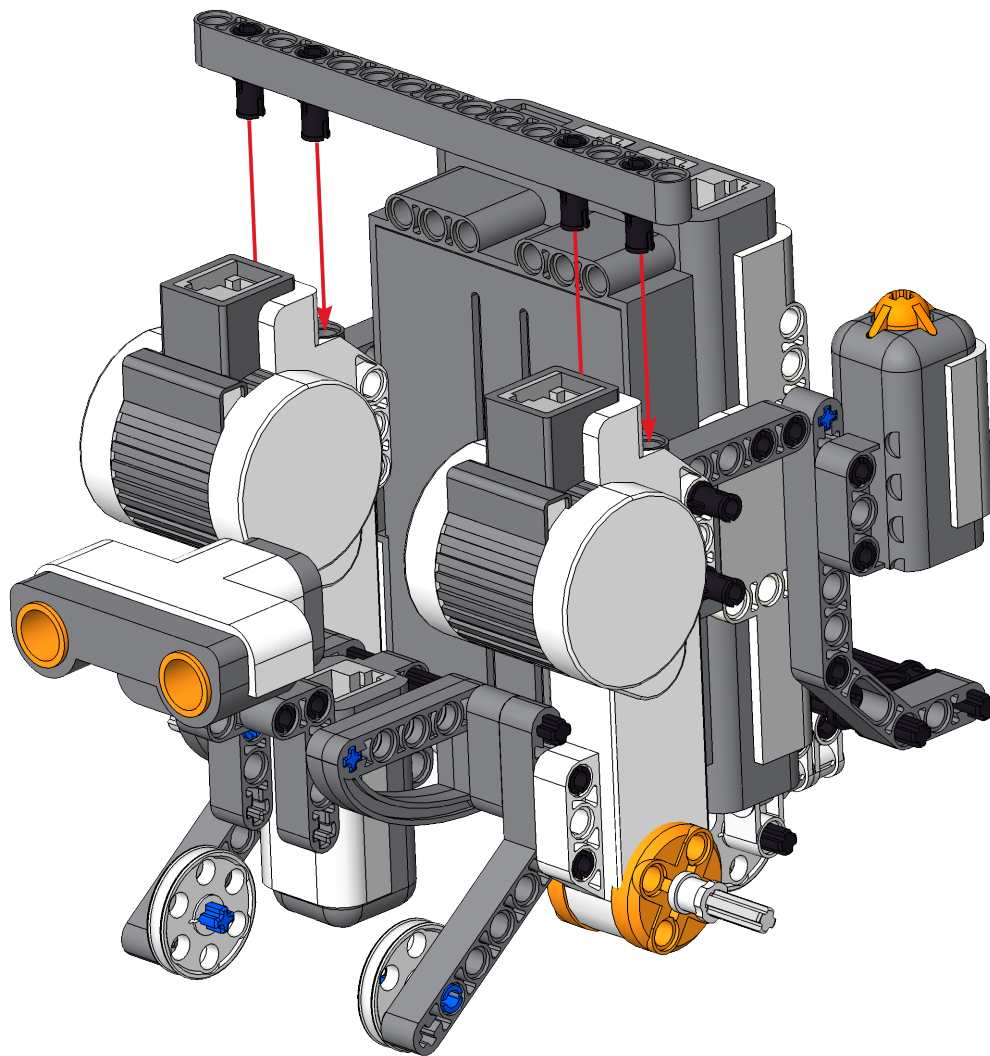
16





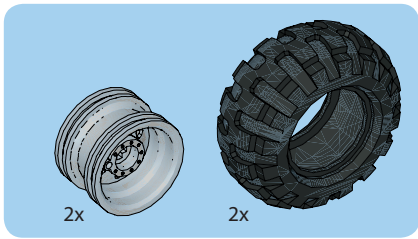


17

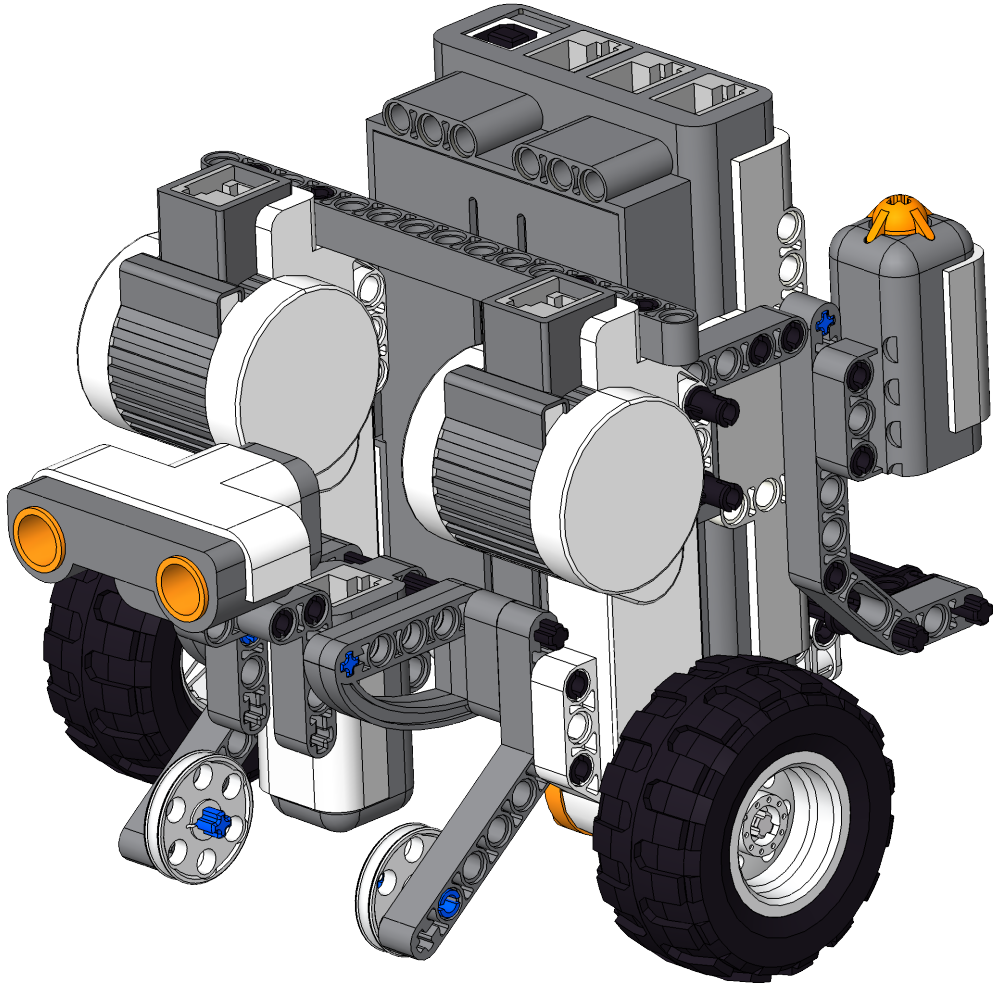


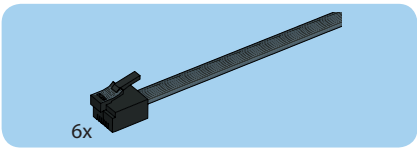
15

1:1

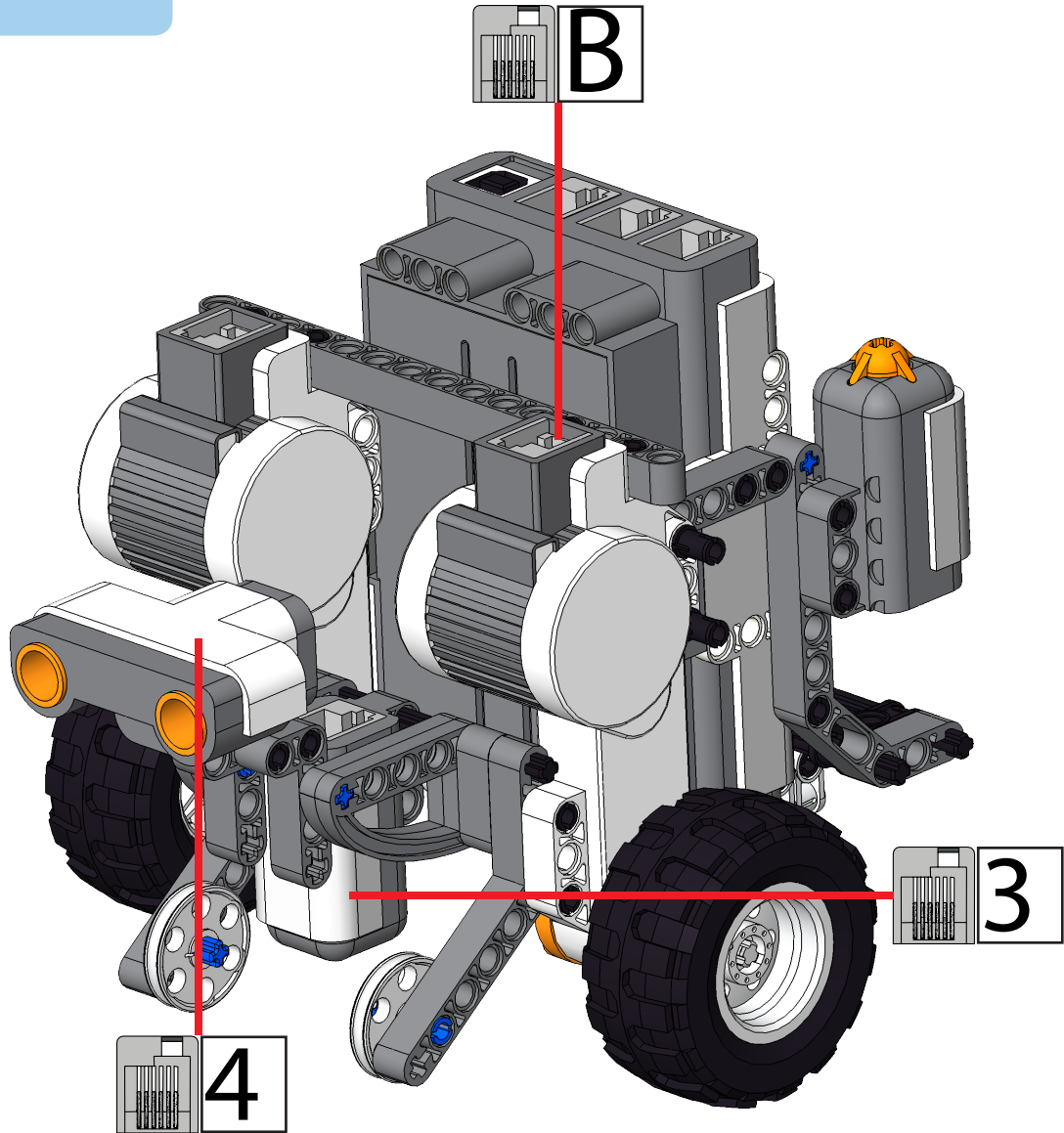


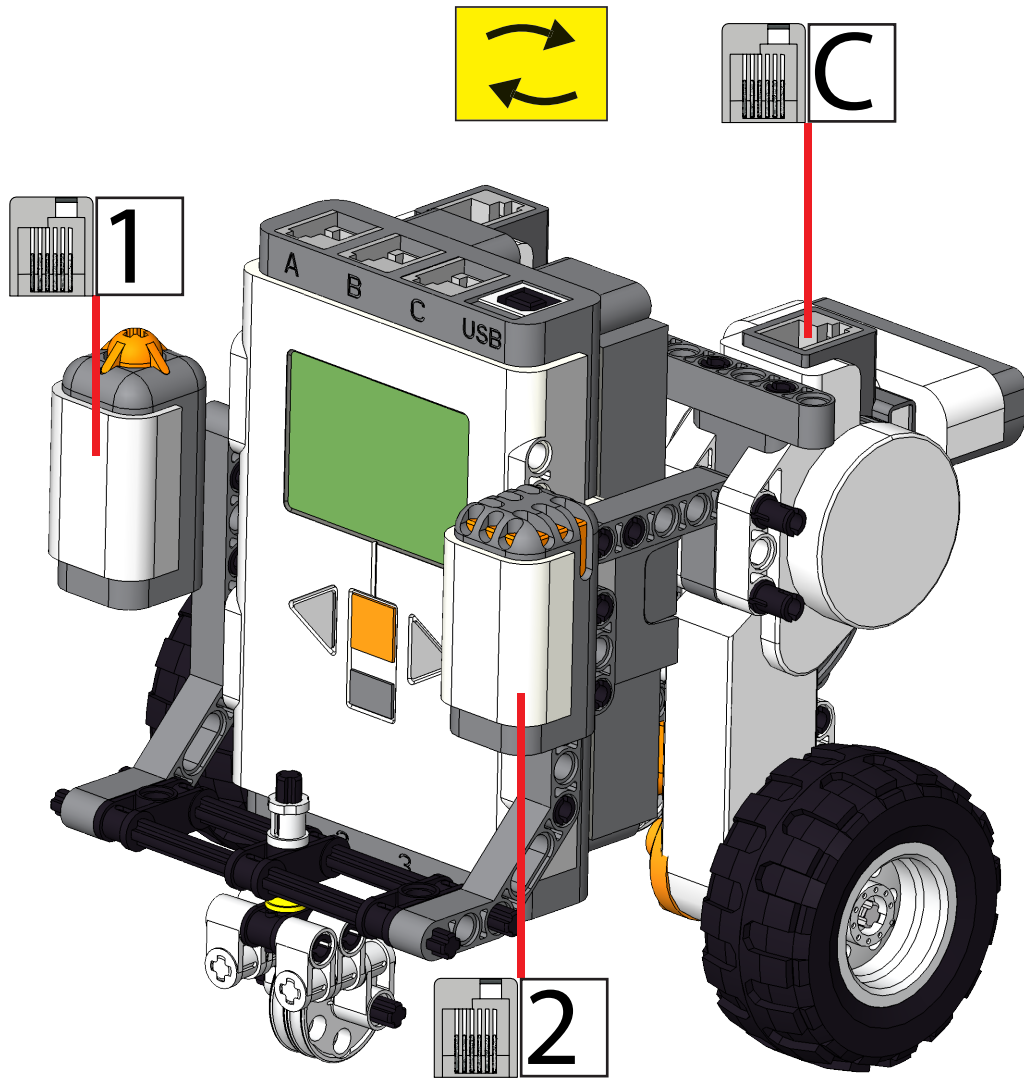
18





19





Your **CattBot** is now complete!

